

INSTALLATION INSTRUCTIONS

PSB-2057

DISPLAY MOUNTING BRACKET

Prior to assembly, unpack carton completely and verify contents.

If you are missing any of the following components, please contact Customer Service at 1-800/582-6480

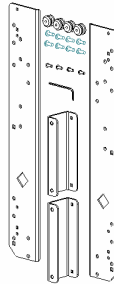


Figure 1

- (1) Left Interface Bracket
- (2) Offset Bracket
- (8) 10-24 x .5" Phillips Head Cap Screws
- (1) M2.5 Allen Key

- (1) Right Interface Bracket
- (4) Mounting Buttons – Tapped 10-24
- (4) M4 x 10mm Button Head Cap Screws

BEFORE PROCEEDING, READ INSTALLATION INSTRUCTIONS COMPLETELY

CAUTION! DISPLAYS ARE EXTREMELY FRAGILE.

WARNING! ALL COMPONENTS MUST BE SECURELY FASTENED TO A STRUCTURAL MEMBER CAPABLE OF SUPPORTING 4 TIMES THE COMBINED WEIGHT OF ALL COMPONENTS PLUS THE EQUIPMENT BEING MOUNTED. IF IT CANNOT SUPPORT THIS WEIGHT, THE STRUCTURE MUST BE REINFORCED. THE MAXIMUM WEIGHT TO BE INSTALLED ON THE BRACKET IS 175 POUNDS (79.38 KG).

1. Using a 10-24 Phillips head cap screw inserted into square holes from back side of bracket, secure mounting button, with chamfered hole of mounting button (larger surface) facing bracket, to bracket (four places) (see Figure 2 & Figure 3). Make sure bends of interface bracket face away from buttons.

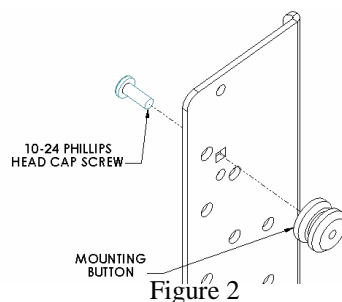


Figure 2

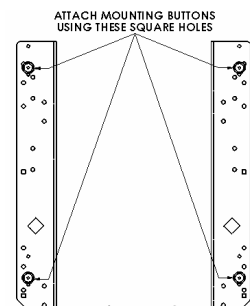


Figure 3



CHIEF MANUFACTURING INC.
1-800-582-6480 952-894-6280 FAX 952-894-6918
8401 EAGLE CREEK PKWY, STE. 700
SAVAGE, MINNESOTA 55378 USA

8804-000212 RevB
2004 Chief Manufacturing
www.chiefmfg.com
10/04

2. Place Offset Bracket on mounting holes, aligning square hole pattern on brackets with pattern on back of display (see Figure 4 & Figure 5).
3. Using M4 button head screws, secure brackets to display. Do not over tighten screws.
4. Place Interface Brackets on Offset Brackets, aligning hole pattern on Interface with pattern on Offset bracket.
5. Using 10-24 Phillips head cap screws, secure brackets (See Figure 6 & Figure 7). Do not over tighten screws.
6. With the aid of another person, lift display up to Chief Mount, aligning buttons of mounting brackets with slots in Chief Mount.
7. Lower safety latch on the Chief Mount to secure display, making sure latch is completely engaged.

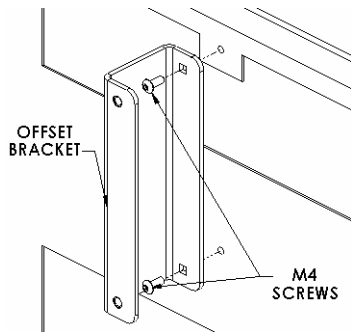


Figure 4

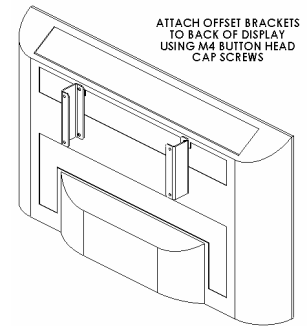


Figure 5

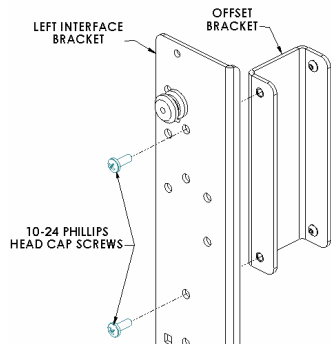


Figure 6

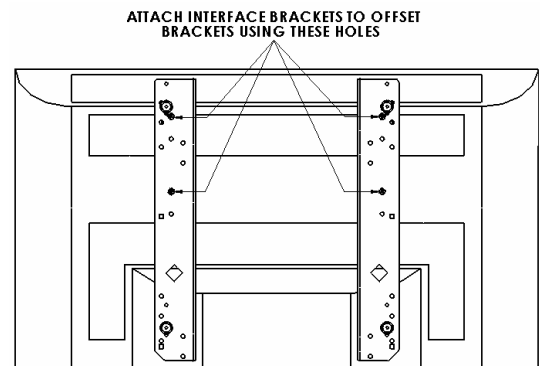


Figure 7