

INSTALLATION INSTRUCTIONS

PSB-2063

PLASMA DISPLAY MOUNTING BRACKET

Prior to assembly, unpack carton completely and verify contents.

If you are missing any of the following components, please contact Customer Service at 1-800/582-6480

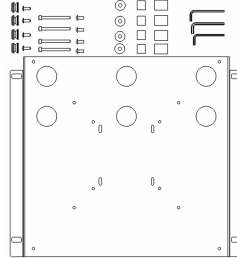


Figure 1

- | | |
|---|--------------------------------------|
| (1) Plasma Bracket | (4) M5 x 12mm Button Head Cap Screws |
| (4) Mounting Buttons | (4) 10-24 Button Head Cap Screws |
| (1) 1/8" Allen Key | (1) 3mm Allen Key |
| (4) Steel Washers-.750" OD X .26 ID X .048" | (4) M5 x 55mm Socket Head Screws |
| (4) Nylon Spacer .74 x .39 x 1.0 | (4) Nylon Spacer .680 x .39 x .625 |
| (1) M4 Hex Key | |

BEFORE PROCEEDING, READ INSTALLATION INSTRUCTIONS COMPLETELY

CAUTION!

PLASMA DISPLAYS ARE EXTREMELY FRAGILE.

WARNING!

ALL COMPONENTS MUST BE SECURELY FASTENED TO A STRUCTURAL MEMBER CAPABLE OF SUPPORTING 4 TIMES THE COMBINED WEIGHT OF ALL COMPONENTS PLUS THE EQUIPMENT BEING MOUNTED. IF IT CANNOT SUPPORT THIS WEIGHT, THE STRUCTURE MUST BE REINFORCED.

THE MAXIMUM WEIGHT TO BE INSTALLED ON THE MOUNT IS 175 POUNDS (79.38 KG).

1. Attach mounting buttons to bracket using a 10-24 button head cap screw inserted from back side of bracket (see Figure 2 & Figure 3).

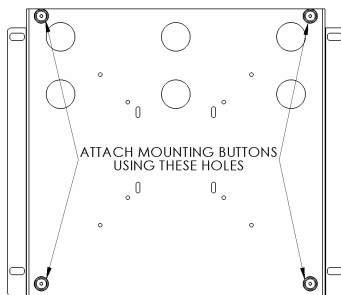


Figure 2

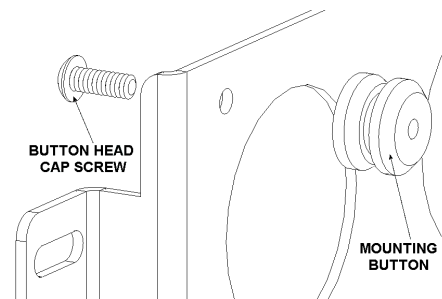


Figure 3



CHIEF MANUFACTURING INC.
1-800-582-6480 952-894-6280 FAX 952-894-6918
8401 EAGLE CREEK PKWY, STE. 700
SAVAGE, MINNESOTA 55378 USA

8804-000085 RevD
2007 Chief Manufacturing
www.chiefmfg.com
9/07

2. Place plasma bracket on display, with the bent flanges of the bracket in the slots on the display, and attach using the M5 x 12mm button head cap screws and washers, if the screen has a media box use the M5 x 55mm screws and spacers to space the bracket away from the screen, ensuring not to over-tighten (see Figure 4, 5, & 6).
3. With the aid of another person, lift Plasma Display up to the Chief Mount, aligning buttons of mounting brackets with slots in the Chief Mount.
4. Lower safety catch on the Chief Mount to secure Plasma Display, making sure catch is completely engaged.
5. Place Nylon spacers over mounting holes on back of screen. Attach mounting brackets to the display using the M8 screws (see Figure 4 & Figure 5).
6. With the aid of another person, lift your display up to the Chief Mount, aligning buttons of mounting brackets with slots in the Chief Mount.
7. Lower safety catch on the Chief Mount to secure your display, making sure catch is completely engaged.

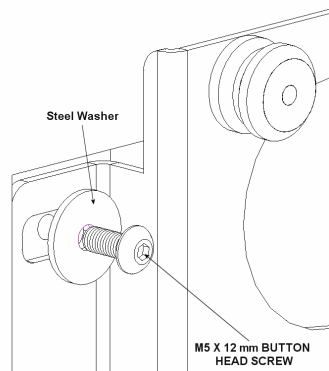


Figure 4

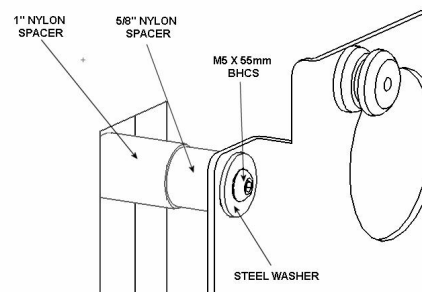


Figure 5

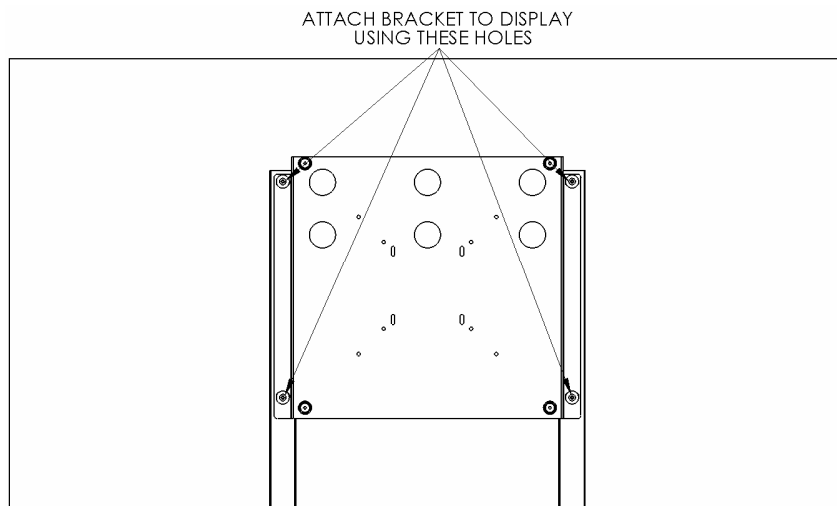


Figure 6