

INSTALLATION INSTRUCTIONS

PSB-2064-2065-2066-2067 DISPLAY MOUNTING BRACKET

Prior to assembly, unpack carton completely and verify contents.

If you are missing any of the following components, please contact Customer Service at 1-800/582-6480

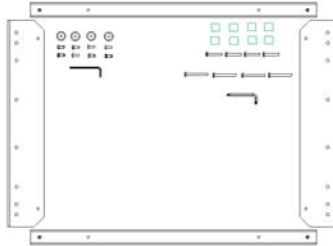


Figure 1

- | | |
|--|---------------------------------------|
| (2) Side Interface Bracket | (2) Top/Bottom Bracket |
| (4) Mounting Buttons-10-24 Tapped | (8) 10-24 Button Head Cap Screws |
| (4) M5 x 30 mm Phillips Head Cap Screw | (4) M5 x 45mm Phillips Head Cap Screw |
| (8) .68 x .39 x .625 Nylon Spacer | (1) 1/8" Allen Key |
| (1) T25 Torx Key | |

BEFORE PROCEEDING, READ INSTALLATION INSTRUCTIONS COMPLETELY

CAUTION! **DISPLAYS ARE EXTREMELY FRAGILE.**

WARNING! **ALL COMPONENTS MUST BE SECURELY FASTENED TO A STRUCTURAL MEMBER CAPABLE OF SUPPORTING 4 TIMES THE COMBINED WEIGHT OF ALL COMPONENTS PLUS THE EQUIPMENT BEING MOUNTED. IF IT CANNOT SUPPORT THIS WEIGHT, THE STRUCTURE MUST BE REINFORCED.**

THE MAXIMUM WEIGHT TO BE INSTALLED ON THE MOUNT IS 175 POUNDS (79.38 KG).

1. If applicable, remove existing mounting buttons on back of display using the T25 Torx key.
2. Using a 10-24 button head cap screw inserted from back side of bracket, secure mounting button, with chamfered hole of mounting button (larger surface) facing bracket, to top and bottom brackets (four places) (see Figure 2 & Figure 3).

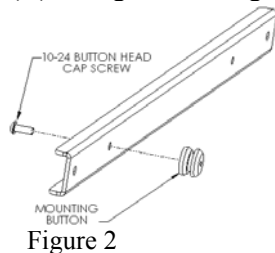


Figure 2

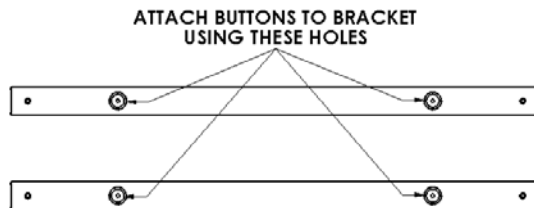


Figure 3



CHIEF MANUFACTURING INC.
1-800-582-6480 952-894-6280 FAX 952-894-6918
8401 EAGLE CREEK PKWY, STE. 700
SAVAGE, MINNESOTA 55378 USA

8804-000238 RevC
2005 Chief Manufacturing
www.chiefmfg.com
10/05

- Using four 10-24 button head cap screws, attach top and bottom to side brackets (see Figure 4 & Figure 5).

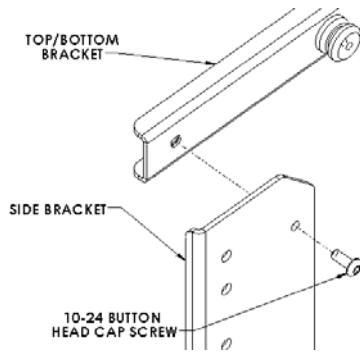


Figure 4

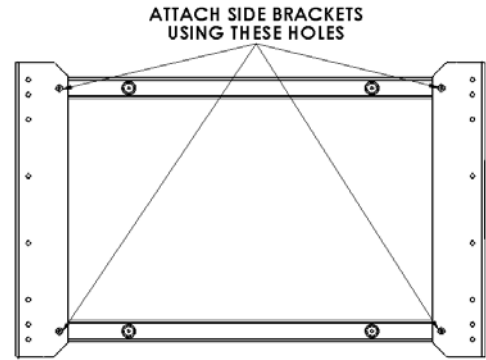


Figure 5

- Place one Nylon spacers over each mounting hole on back of screen and attach the mounting brackets to the display using M5 x 30mm screws (see Figure 6 & Figure 7a, 7b or 7c). If audio connections come straight out the back, stack two nylon spacers over each mounting hole and attach brackets using the M5 x 45mm screws (you may need to connect audio cables to back of display before installing bracket).
- With the aid of another person, lift your display up to the Chief Mount, aligning buttons of mounting brackets with slots in the Chief Mount.
- Lower safety latch on the Chief Mount to secure your display, making sure latch is completely engaged.

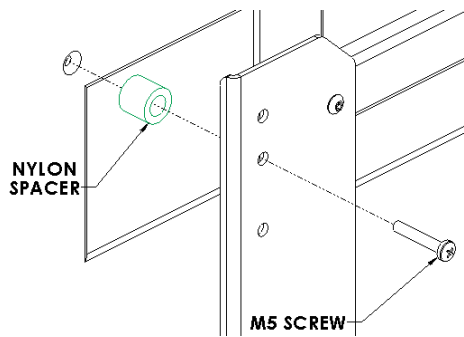


Figure 6

**NOTE:
SEE FIGURES 7a, 7b
OR 7c FOR
CORRECT SET OF
HOLES**

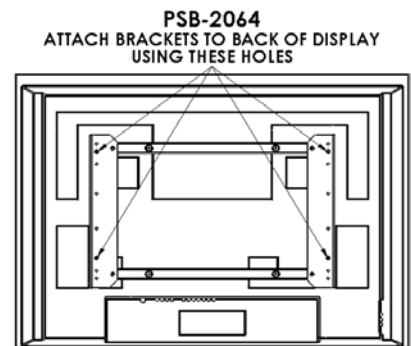


Figure 7a

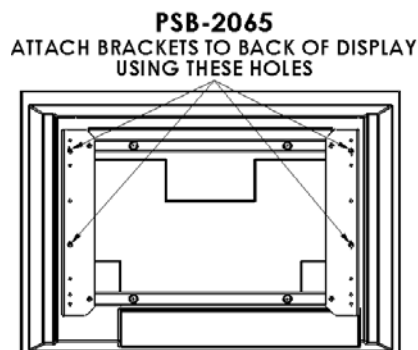


Figure 7b

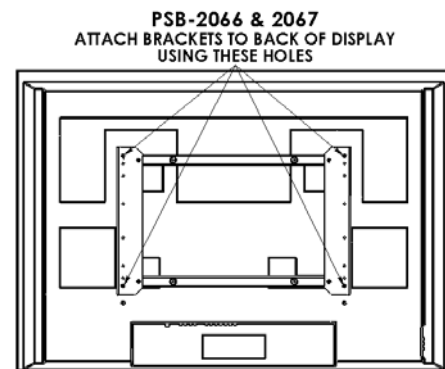


Figure 7c