

# INSTALLATION INSTRUCTIONS

## PSB-2068

### DISPLAY MOUNTING BRACKET

Prior to assembly, unpack carton completely and verify contents.

If you are missing any of the following components, please contact Customer Service at 1-800/582-6480

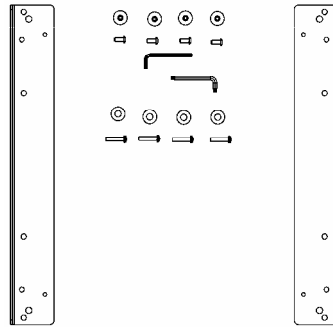


Figure 1

(2) Interface Bracket

(4) 10-24 x .5 Button Head Cap Screws

(4) .75 x .34 x .5 Nylon Spacer

(1) T-25 TORX Key

(4) Mounting Buttons

(4) M5 x 25 mm Phillips Head Cap Screws

(1) 1/8" Allen Key

BEFORE PROCEEDING, READ INSTALLATION INSTRUCTIONS COMPLETELY

## CAUTION!

**DISPLAYS ARE EXTREMELY FRAGILE.**

## WARNING!

**ALL COMPONENTS MUST BE SECURELY FASTENED TO A STRUCTURAL MEMBER CAPABLE OF SUPPORTING 4 TIMES THE COMBINED WEIGHT OF ALL COMPONENTS PLUS THE EQUIPMENT BEING MOUNTED. IF IT CANNOT SUPPORT THIS WEIGHT, THE STRUCTURE MUST BE REINFORCED.**

**THE MAXIMUM WEIGHT TO BE INSTALLED ON THE MOUNT IS 175 POUNDS (79.38 KG).**

1. Using a 10-24 Button head cap screw inserted from back side of bracket, secure mounting button, with chamfered hole of mounting button (larger surface) facing bracket, to bracket (four places) (see Figure 2 and Figure 3).

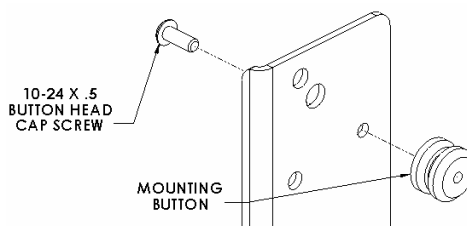


Figure 2

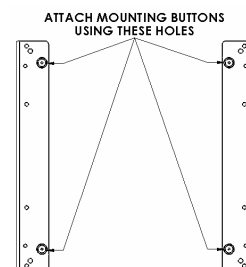


Figure 3

2. Use T-25 TORX key to remove existing mounting buttons.
3. Place Nylon spacers over mounting holes on back of screen. Attach mounting brackets to the display using the M5 screws (see Figure 4 & Figure 5).
4. With the aid of another person, lift the display up to the Chief Mount, aligning buttons of mounting brackets with slots in the Chief Mount.
5. Lower safety latch on the Chief Mount to secure the display, making sure latch is completely engaged.

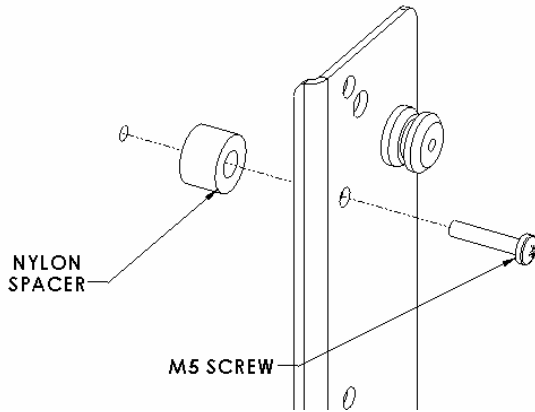


Figure 4

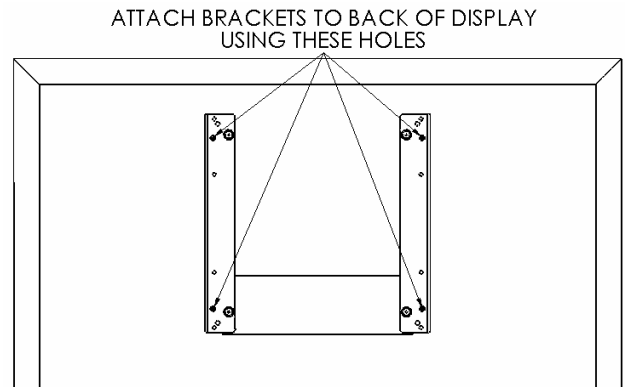


Figure 5