

INSTALLATION INSTRUCTIONS

PSB-2074 DISPLAY MOUNTING BRACKET

Prior to assembly, unpack carton completely and verify contents.

If you are missing any of the following components, please contact Customer Service at 1-800/582-6480

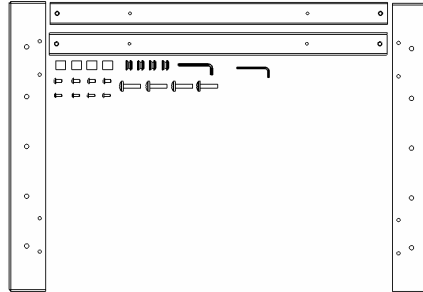


Figure 1

- (2) Side Interface Bracket
- (4) Mounting Buttons-10-24 Tapped
- (4) M8 x 35 mm Phillips Head Cap Screw
- (1) 1/8" Allen Key
- (4) 1/4-20 Button Head Cap Screws

- (2) Top/Bottom Bracket
- (4) 10-24 Button Head Cap Screws
- (4) M18 X M8.3 X M20 Nylon Spacer
- (1) 5/32" Allen Key

BEFORE PROCEEDING, READ INSTALLATION INSTRUCTIONS COMPLETELY

CAUTION! **DISPLAYS ARE EXTREMELY FRAGILE.**

WARNING! **ALL COMPONENTS MUST BE SECURELY FASTENED TO A STRUCTURAL MEMBER CAPABLE OF SUPPORTING 4 TIMES THE COMBINED WEIGHT OF ALL COMPONENTS PLUS THE EQUIPMENT BEING MOUNTED. IF IT CANNOT SUPPORT THIS WEIGHT, THE STRUCTURE MUST BE REINFORCED.**

THE MAXIMUM WEIGHT TO BE INSTALLED ON THE MOUNT IS 200 POUNDS (90.72 KG).

1. Using a 10-24 x 1/2" button head cap screw inserted from back side of bracket, secure mounting button, with chamfered hole of mounting button (larger surface) facing bracket, to top and bottom brackets (four places) (see Figure 2 & Figure 3).

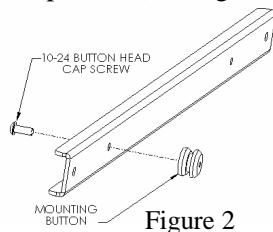


Figure 2

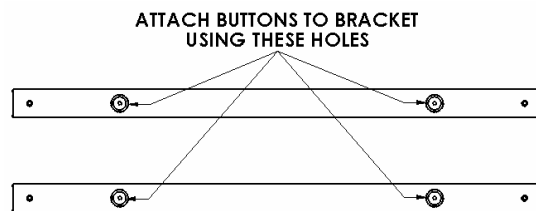


Figure 3



CHIEF MANUFACTURING INC.
1-800-582-6480 952-894-6280 FAX 952-894-6918
8401 EAGLE CREEK PKWY, STE. 700
SAVAGE, MINNESOTA 55378 USA

8804-000341 RevC
2008 Chief Manufacturing
www.chiefmfg.com
01/08

- Using four 1/4-20 x 1/2" button head cap screws, attach top and bottom to side brackets (see Figure 4 & Figure 5). If needed used alternate holes.

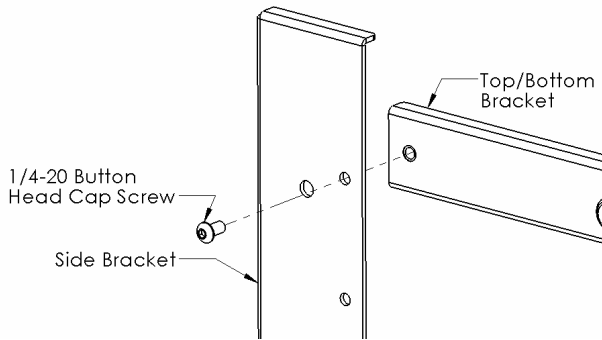


Figure 4

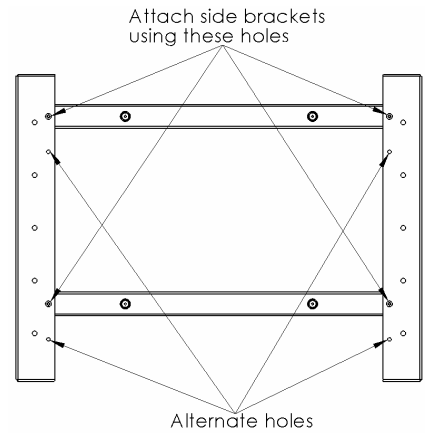


Figure 5

- Place Nylon spacers over mounting holes on back of screen and attach the mounting brackets to the display using M8 screws. Use the set of hole appropriate to your screen (see Figure 6, Figure 7.1 & 7.2). For 700 x 400 patterns see Figure 7.1 and for 700 x 300 patterns see Figure 7.2.
- With the aid of another person, lift your display up to the Chief Mount, aligning buttons of mounting brackets with slots in the Chief Mount.
- Lower safety latch on the Chief Mount to secure your display, making sure latch is completely engaged.

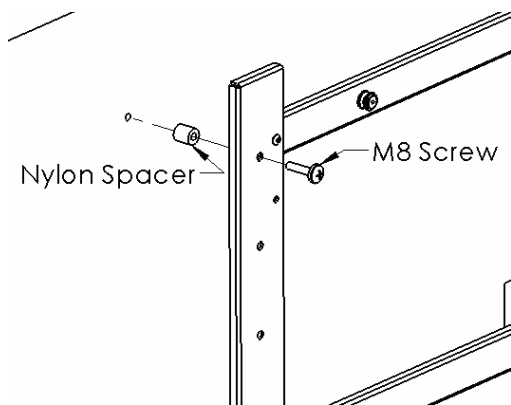


Figure 6

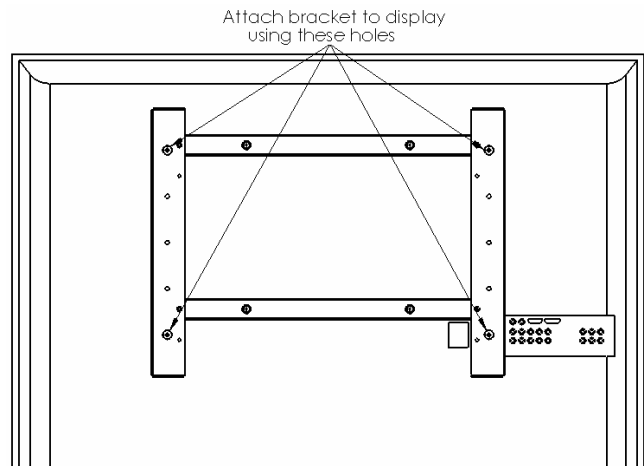


Figure 7.1

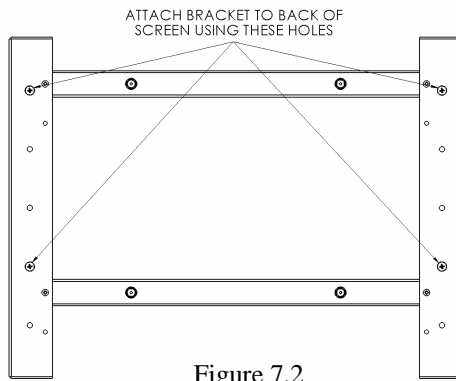


Figure 7.2