



INSTALLATION INSTRUCTIONS

PSB-2080

PLASMA DISPLAY MOUNTING BRACKET

Prior to assembly, unpack carton completely and verify contents.

If you are missing any of the following components, please contact Customer Service at 1-800/582-6480

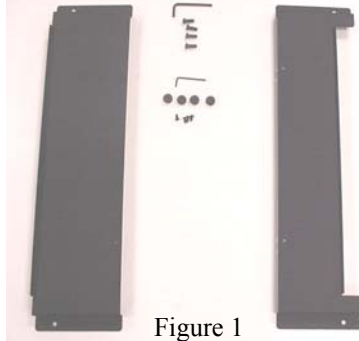


Figure 1

- (1) Plasma Static Mount Bracket-Left
- (4) Mounting Buttons
- (4) M8-1.25 x 20mm Button HCS
- (1) 5mm Allen Key

- (1) Plasma Static Mount Bracket-Right
- (4) 10-24 Flat head Cap Screws
- (1) 1/8" Allen Key

BEFORE PROCEEDING, READ INSTALLATION INSTRUCTIONS COMPLETELY

CAUTION! PLASMA DISPLAYS ARE EXTREMELY FRAGILE.

1. Using a 10-24 flat head cap screw inserted from chamfered hole side of bracket, secure mounting button, with chamfered hole of mounting button (larger surface) facing bracket, to bracket (four places) (see Figure 1).
2. Align hole pattern on brackets with pattern on back of Plasma Display and attach using enclosed cap screws (see Figure 2).
3. With the aid of another person, lift Plasma Display up to the Chief Mount, aligning buttons of mounting brackets with slots in the Chief Mount.
4. Lower safety catch on the Chief Mount to secure Plasma Display, making sure catch is completely engaged.

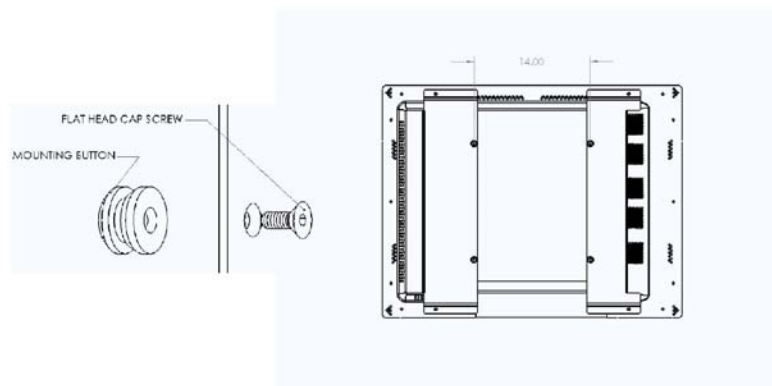


Figure 2