



INSTALLATION INSTRUCTIONS

PSB-2095

PLASMA DISPLAY MOUNTING BRACKET

Prior to assembly, unpack carton completely and verify contents.

If you are missing any of the following components, please contact Customer Service at 1-800/582-6480

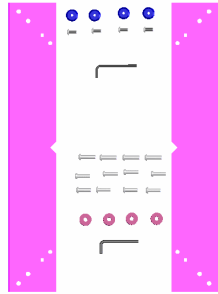


Figure 1

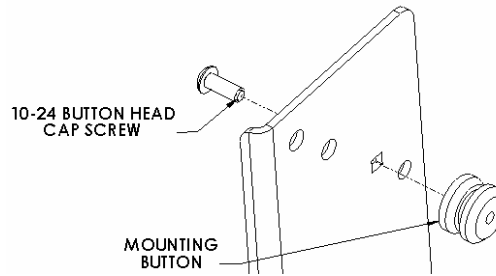


Figure 2

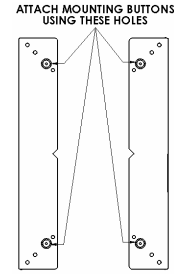


Figure 3

- (2) Plasma Bracket
- (4) 10-24 x 1/2 Button Head Cap Screw
- (4) M5 x 20mm Phillips Head Cap Screw
- (4) M6 x 30mm Button Head Cap Screw
- (1) M4 Allen Key

- (4) Mounting Buttons – Tapped
- (1) 1/8 Allen Key
- (4) .875 OD x .33 ID x .375 Nylon Spacer
- (4) M6 x 20mm Button Head Cap Screw

BEFORE PROCEEDING, READ INSTALLATION INSTRUCTIONS COMPLETELY

CAUTION!

PLASMA DISPLAYS ARE EXTREMELY FRAGILE.

1. Remove screws from mounting holes in display back.
2. Using a 10-24 button head cap screw inserted from back side of bracket, secure mounting button, with chamfered hole of mounting button (larger surface) facing bracket, to bracket (four places) (see Figure 2 & Figure 3).
3. Place Nylon spacers over mounting holes on back of screen.
4. Attach mounting brackets to the display using the M5 screws for 32" screen or M6 for 42" and 50" screens (see Figure 4 & Figure 5).
5. With the aid of another person, lift your display up to the Chief Mount, aligning buttons of mounting brackets with slots in the Chief Mount.
6. Lower safety catch on the Chief Mount to secure your display, making sure latch is completely engaged.
7. If using this interface with the PST static mount you may need to remove one of the locking flags.

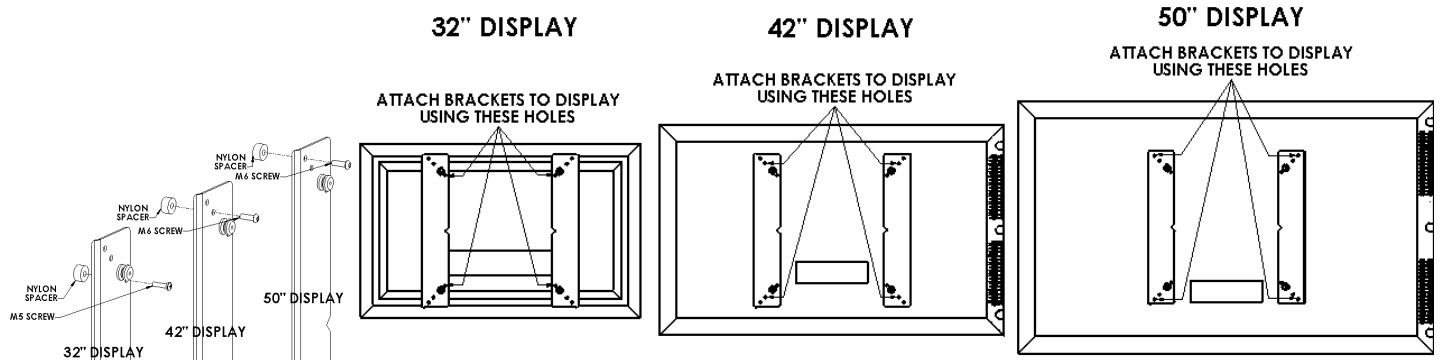


Figure 4

Figure 5

8804-000149 RevB

CHIEF MANUFACTURING INC. 1-800-582-6480, Fax: 1-877-894-6918, Email: chief@chiefmfg.com

01/29/08