



# INSTALLATION INSTRUCTIONS

## PSB-2099

### LARGE FLAT PANEL DISPLAY MOUNTING BRACKET

Prior to assembly, unpack carton completely and verify contents.  
If you are missing any of the following components, please contact Customer Service at 1-800/582-6480

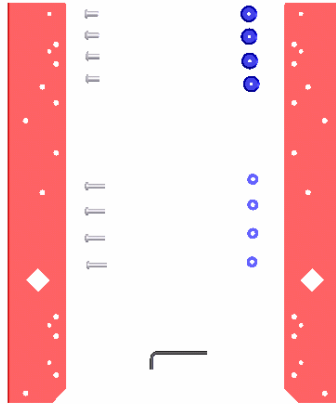


Figure 1

- (1) Left Bracket
- (4) Mounting Buttons-Tapped 10-24
- (4) M5-.8 x 20mm Phillips Head Cap Screws
- (4) .500 OD x .194 ID x .375 Spacer Nylon

- (1) Right Bracket
- (4) 10-24 x .5 Button Head Cap Screws
- (4) M5 - .8 x 30mm Phillips Head Cap Screws
- (1) 1/8 Allen Key

BEFORE PROCEEDING, READ INSTALLATION INSTRUCTIONS COMPLETELY

## CAUTION! DISPLAYS ARE EXTREMELY FRAGILE.

1. Using a 10-24 button head cap screw inserted from back side of bracket, secure mounting button, with chamfered hole of mounting button (larger surface) facing bracket, to bracket (four places) (see Figure 2 & Figure 3).
2. Remove existing mounting buttons from back of display (if applicable).

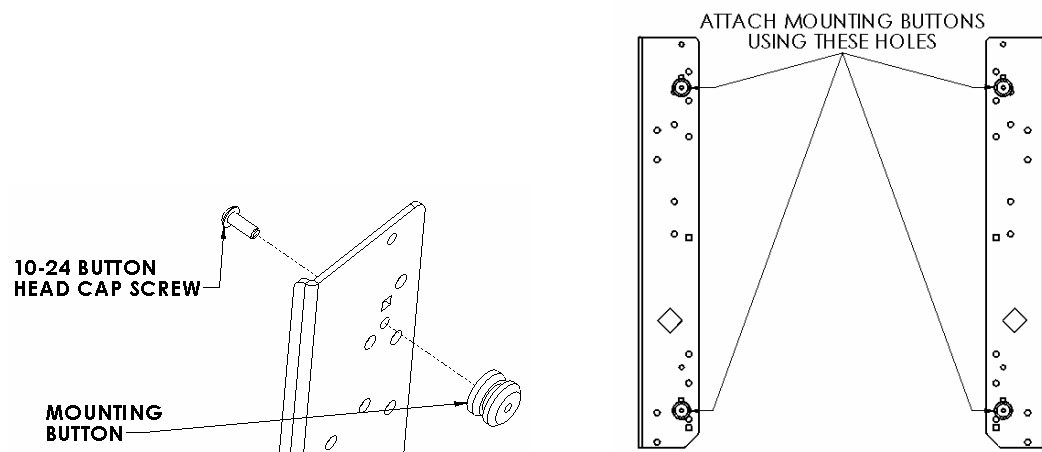


Figure 2

Figure 3

3. Place Nylon spacers over the mounting holes and align the hole pattern on the brackets with the pattern on the back of your display (see Figure 4 & Figure 5).
4. Attach the brackets using M5 Phillips head screws. Use proper length (20mm or 30mm) for your screen.

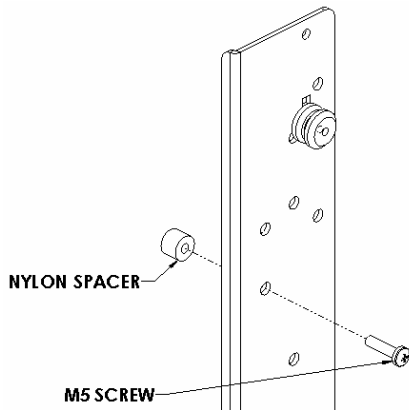


Figure 4

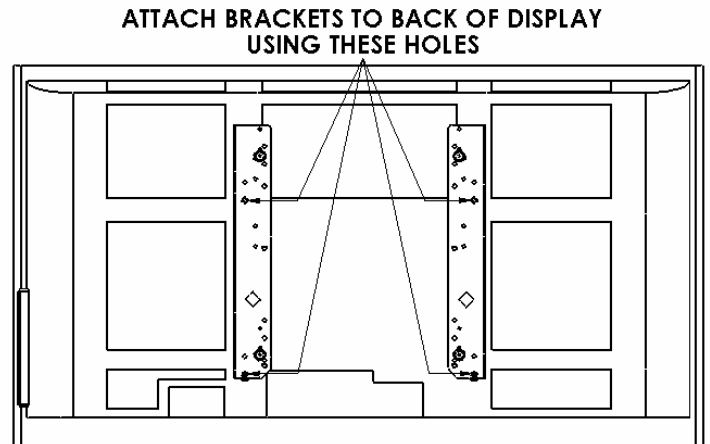


Figure 5

5. With the aid of another person, lift the display up to the Chief Mount, aligning buttons on mounting brackets with slots in the Chief Mount.
6. Lower safety latch on the Chief Mount to secure the display, making sure the latch is completely engaged.