
INSTALLATION INSTRUCTIONS

PSB-2101 PLASMA DISPLAY MOUNTING BRACKET

Prior to assembly, unpack carton completely and verify contents.
If you are missing any of the following components, please contact Customer Service at 1-800/582-6480

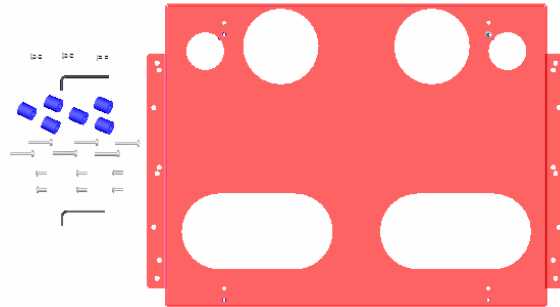


Figure 1

- | | |
|----------------------------------|--------------------------------------|
| (1) Plasma Interface Bracket | (4) Mounting Buttons |
| (4) 10-24 Button Head Cap Screws | (6) M5 x 12mm Button Head Cap Screws |
| (1) 1/8" Allen Key | (1) 3mm Allen Key |
| (6) Spacers, 18mm X 20mm X 8.3mm | (6) M5 X 30mm Philips Pan Hd Screws |

BEFORE PROCEEDING, READ INSTALLATION INSTRUCTIONS COMPLETELY

CAUTION! PLASMA DISPLAYS ARE EXTREMELY FRAGILE.

WARNING!

ALL COMPONENTS MUST BE SECURELY FASTENED TO A STRUCTURAL MEMBER CAPABLE OF SUPPORTING 4 TIMES THE COMBINED WEIGHT OF ALL COMPONENTS PLUS THE EQUIPMENT BEING MOUNTED. IF IT CANNOT SUPPORT THIS WEIGHT, THE STRUCTURE MUST BE REINFORCED.

THE MAXIMUM WEIGHT TO BE INSTALLED ON THE MOUNT IS 175 POUNDS (79.38 KG).

1. Using a 10-24 button head cap screw inserted from the back side of bracket, secure mounting button, to bracket (four places) (see Figure 2 & Figure 3).
2. Remove any existing buttons from back of screen.
3. Align hole pattern on brackets with pattern on back of Plasma Display and attach using the M5 button head cap screws (see Figure 4).
4. With the aid of another person, lift Plasma Display up to the Chief Mount, aligning buttons of mounting brackets with slots in the Chief Mount.



CHIEF MANUFACTURING INC.
1-800-582-6480 952-894-6280 FAX 952-894-6918
8401 EAGLE CREEK PKWY, STE. 700
SAVAGE, MINNESOTA 55378 USA

8804-000095 REV. A
2004 Chief Manufacturing
www.chiefmfg.com
08/04

5. Lower safety catch on the Chief Mount to secure Plasma Display, making sure catch is completely engaged.
6. Optional spacers and longer screws provided to allow for cable clearance if required (see Fig.2).

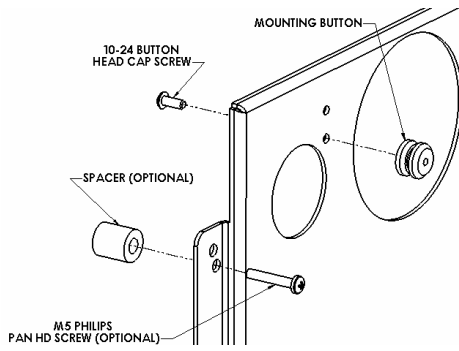


Figure 2

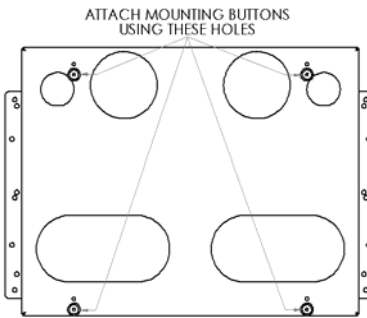


Figure 3

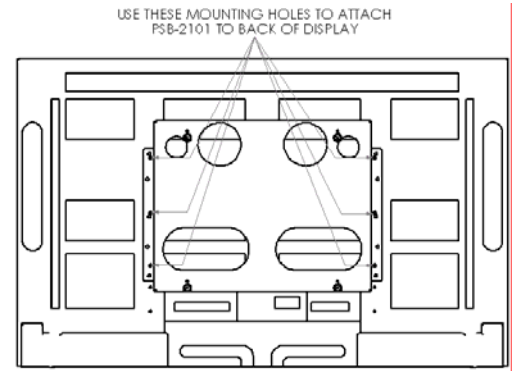


Figure 4