

INSTALLATION INSTRUCTIONS

PSB-2103

PLASMA DISPLAY MOUNTING BRACKET[®]

Prior to assembly, unpack carton completely and verify contents.

If you are missing any of the following components, please contact Customer Service at 1-800/582-6480

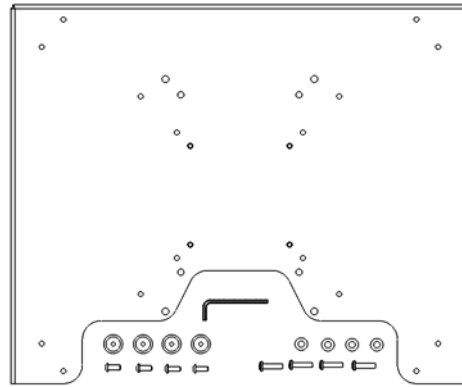


Figure 1

(1) Interface Bracket

(4) 10-24 x 1/2" Button Head Cap Screws

(4) .500 OD x .257 ID x .344 Round Nylon Spacer

(4) Mounting Buttons-Tapped 10-24

(4) M5 x 20mm Phillips Head Cap Screws

(1) 1/8" Allen Key

BEFORE PROCEEDING, READ INSTALLATION INSTRUCTIONS COMPLETELY

CAUTION!

PLASMA DISPLAYS ARE EXTREMELY FRAGILE.

WARNING!

THE MAXIMUM WEIGHT TO BE INSTALLED ON THE MOUNT IS 200 POUNDS (90.7KG).

1. Using a 10-24 button head cap screw inserted from back side of bracket, secure mounting button, with chamfered hole of mounting button (larger surface) facing bracket, to bracket (four places) (see Figure 2 & Figure 3).

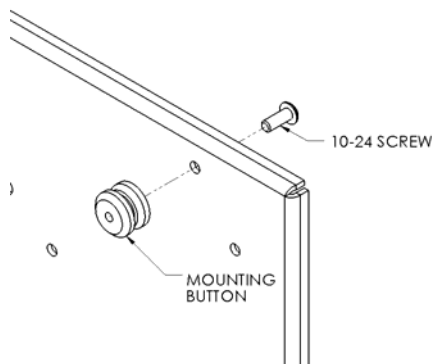


Figure 2

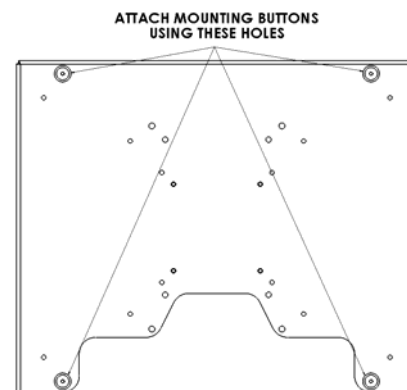


Figure 3



CHIEF MANUFACTURING INC.
1-800-582-6480 952-894-6280 FAX 952-894-6918
8401 EAGLE CREEK PKWY, STE. 700
SAVAGE, MINNESOTA 55378 USA

8804-000304 REV. A
2006 Chief Manufacturing
www.chiefmfg.com
01/06

2. Place Nylon spacers on mounting holes, aligning hole pattern on brackets with pattern on back of the display (see Figure 4 & Figure 5).

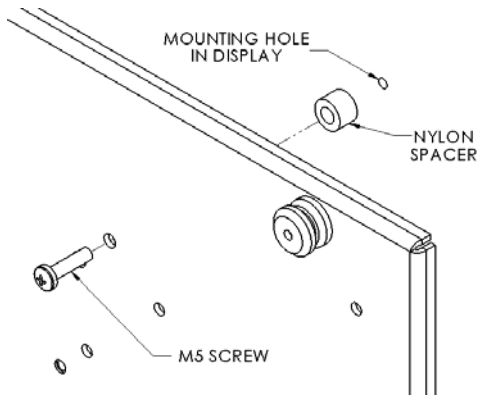


Figure 4

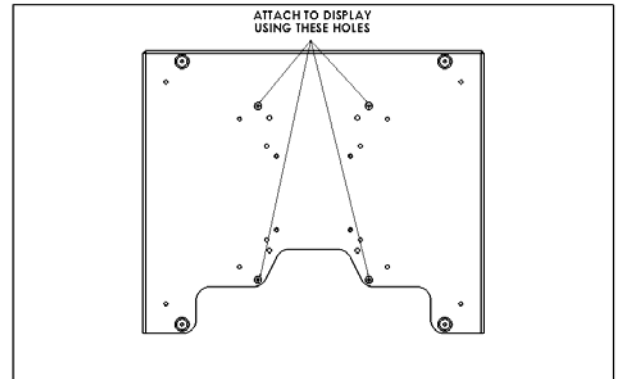


Figure 5

3. Using M5 Phillips head screws, secure brackets to the display. Do not over tighten screws.
4. With the aid of another person, lift the display up to the Chief Mount, aligning buttons of mounting brackets with slots in the Chief Mount.
5. Lower safety latch on the Chief Mount to secure the display, making sure latch is completely engaged.