

# INSTALLATION INSTRUCTIONS

## PSB-2113

### PLASMA DISPLAY MOUNTING BRACKET

Prior to assembly, unpack carton completely and verify contents.

If you are missing any of the following components, please contact Customer Service at 1-800/582-6480

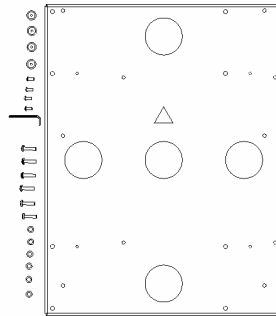


Figure 1

- (1) Plasma Interface Bracket
- (4) 10-24 x .5" Button Head Cap Screw
- (6) M6 x 25 mm Phillips Head Cap Screw

- (4) Mounting Buttons - Tapped
- (6) .50 x .316 x .50 Nylon Spacer
- (1) 1/8" Allen Key

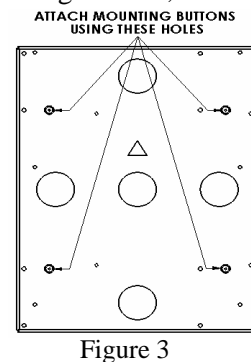
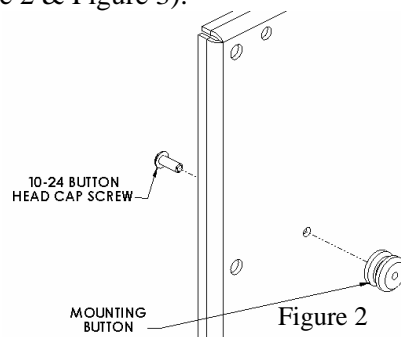
BEFORE PROCEEDING, READ INSTALLATION INSTRUCTIONS COMPLETELY

**CAUTION!** PLASMA DISPLAYS ARE EXTREMELY FRAGILE.

**WARNING!**

ALL COMPONENTS MUST BE SECURELY FASTENED TO A STRUCTURAL MEMBER CAPABLE OF SUPPORTING 4 TIMES THE COMBINED WEIGHT OF ALL COMPONENTS PLUS THE EQUIPMENT BEING MOUNTED. IF IT CANNOT SUPPORT THIS WEIGHT, THE STRUCTURE MUST BE REINFORCED.  
THE MAXIMUM WEIGHT TO BE INSTALLED ON THE MOUNT IS 175 POUNDS (79.38 KG).

1. Using a 10-24 button head cap screw inserted from back side of bracket, secure mounting button, with chamfered hole of mounting button (larger surface) facing bracket, to bracket (four places) (see Figure 2 & Figure 3).



ATTACH MOUNTING BUTTONS USING THESE HOLES

Figure 3



CHIEF MANUFACTURING INC.  
1-800-582-6480 952-894-6280 FAX 952-894-6918  
8401 EAGLE CREEK PKWY, STE. 700  
SAVAGE, MINNESOTA 55378 USA

8804-000190 RevB  
2004 Chief Manufacturing  
[www.chiefmfg.com](http://www.chiefmfg.com)  
10/04

2. Place Nylon spacers on mounting holes, aligning hole pattern on brackets with pattern on back of the display (see Figure 4 & Figure 5).
3. Using M6 screws, secure brackets to the display. Do not over tighten screws.
4. With the aid of another person, lift the display up to the Chief Mount, aligning buttons of mounting brackets with slots in the Chief Mount.
5. Lower safety latch on the Chief Mount to secure the display, making sure latch is completely engaged.

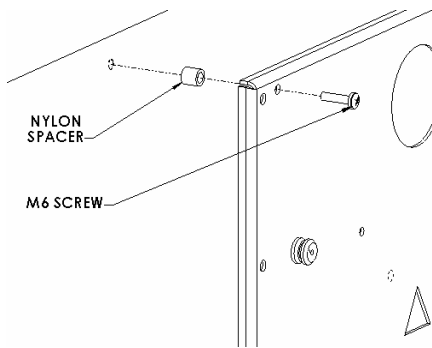


Figure 4

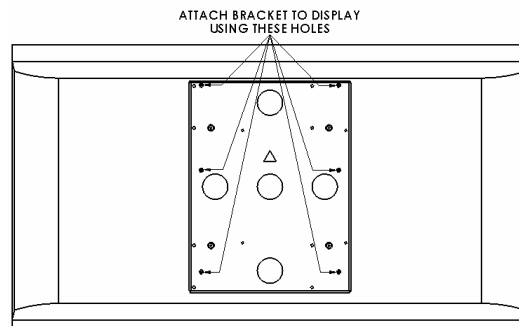


Figure 5