

INSTALLATION INSTRUCTIONS

PSB-2114

PLASMA DISPLAY MOUNTING BRACKET

Prior to assembly, unpack carton completely and verify contents.

If you are missing any of the following components, please contact Customer Service at 1-800/582-6480

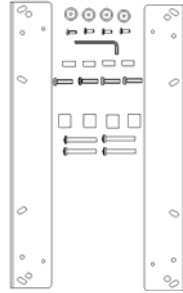


Figure 1

- (2) Plasma Static Mount Brackets
- (4) 10-24 Button Head Cap Screws
- (4) .75 x .26 x .31 Nylon Spacers - White
- (4) M6 x 45mm Phillips Head Cap Screws

- (4) Mounting Buttons
- (4) M6 X 25 mm Phillips Head Cap Screws
- (4) 18mm x 8.3mm x 20mm Nylon Spacers - Black
- (1) 1/8" Allen Key

BEFORE PROCEEDING, READ INSTALLATION INSTRUCTIONS COMPLETELY

CAUTION! PLASMA DISPLAYS ARE EXTREMELY FRAGILE.

WARNING! ALL COMPONENTS MUST BE SECURELY FASTENED TO A STRUCTURAL MEMBER CAPABLE OF SUPPORTING 4 TIMES THE COMBINED WEIGHT OF ALL COMPONENTS PLUS THE EQUIPMENT BEING MOUNTED. IF IT CANNOT SUPPORT THIS WEIGHT, THE STRUCTURE MUST BE REINFORCED. THE MAXIMUM WEIGHT TO BE INSTALLED ON THE MOUNT IS 175 POUNDS (79.38 KG).

1. Using a 10-24 Button head cap screw inserted from back side of bracket, secure mounting button, with chamfered hole of mounting button (larger surface) facing bracket, to bracket (four places) (see Figure 2 and Figure 3).

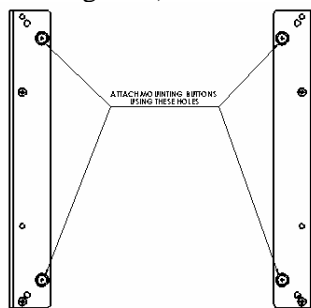


Figure 2

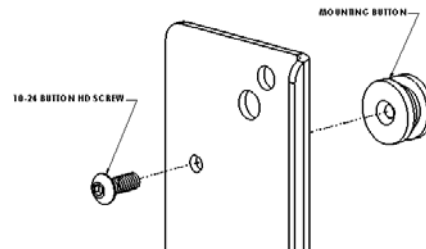


Figure 3



CHIEF MANUFACTURING INC.
1-800-582-6480 952-894-6280 FAX 952-894-6918
8401 EAGLE CREEK PKWY, STE. 700
SAVAGE, MINNESOTA 55378 USA

8804-000213 RevC
2005 Chief Manufacturing
www.chiefmfg.com
12/05

2. Place .313" nylon spacers (white) over mounting holes on back of screen. Attach mounting brackets to the display using the M6 x 25mm screws (see Figure 4 & Figure 5). If screen has a protrusion on back, stack .313" (white) and 20mm (black) spacers and attach brackets using the longer M6 x 45mm screws.
3. With the aid of another person, lift the display up to the Chief Mount, aligning buttons of mounting brackets with slots in the Chief Mount.
4. Lower safety latch on the Chief Mount to secure the display, making sure latch is completely engaged.

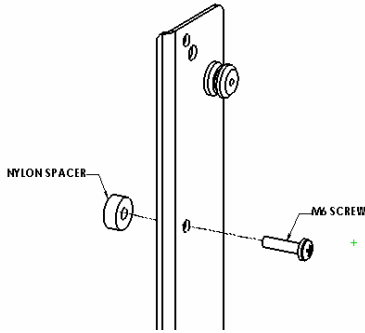


Figure 4

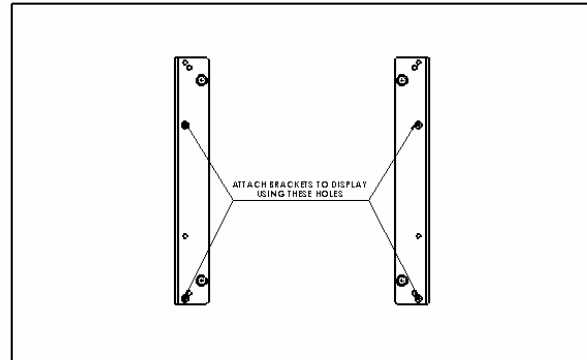


Figure 5

If screen has protrusion on back, stack both white and black spacers and attach bracket using the longer screws