

# INSTALLATION INSTRUCTIONS

## PSB-2117

### LARGE FLAT PANEL DISPLAY MOUNTING BRACKET

Prior to assembly, unpack carton completely and verify contents.

If you are missing any of the following components, please contact Customer Service at 1-800/582-6480

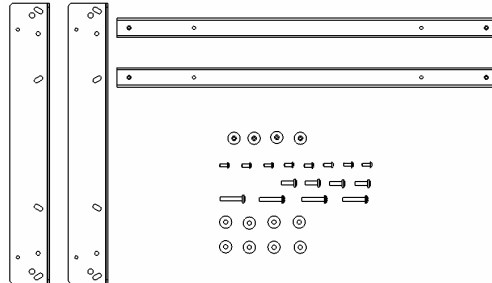


Figure 1

- (2) Side Bracket
- (4) Mounting Button - Tapped
- (4) M6 x 45 Phillips Head Screw
- (1) 1/8" Allen Key

- (2) Top/Bottom Bracket
- (8) 10-24 x .5 Button Head Cap Screw
- (8) .680 x .390 x .625 Nylon Spacer
- (4) M6 x 30 Phillips Head Screw

BEFORE PROCEEDING, READ INSTALLATION INSTRUCTIONS COMPLETELY

## CAUTION! DISPLAYS ARE EXTREMELY FRAGILE.

## WARNING! ALL COMPONENTS MUST BE SECURELY FASTENED TO A STRUCTURAL MEMBER CAPABLE OF SUPPORTING 4 TIMES THE COMBINED WEIGHT OF ALL COMPONENTS PLUS THE EQUIPMENT BEING MOUNTED. IF IT CANNOT SUPPORT THIS WEIGHT, THE STRUCTURE MUST BE REINFORCED. THE MAXIMUM WEIGHT TO BE INSTALLED ON THE MOUNT IS 175 POUNDS (79.38 KG).

1. Using a 10-24 button head cap screw inserted from back side of bracket, secure mounting button, with chamfered hole of mounting screw (larger surface) facing bracket, to top and bottom brackets (four places) (see Figure 2 & Figure 3).

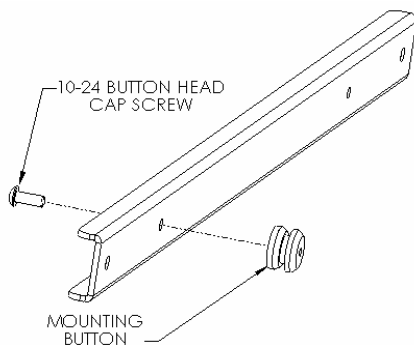


Figure 2

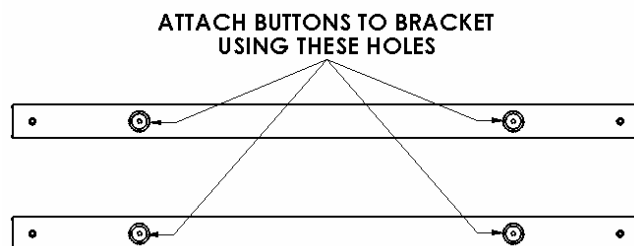


Figure 3

- Using four 10-24 button head cap screws, attach top and bottom to side brackets (see Figure 4 & Figure 5).

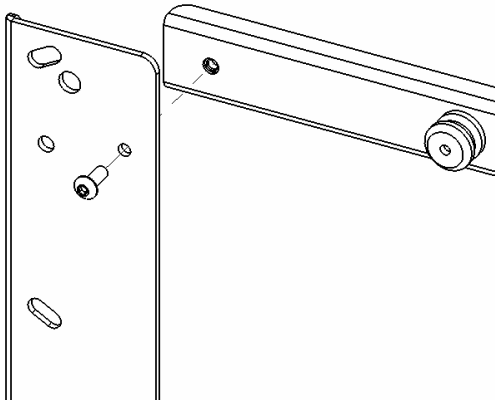


Figure 4

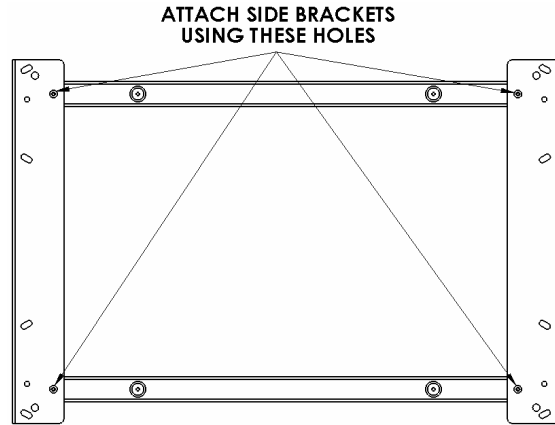


Figure 5

- Place nylon spacers over the mounting holes on back of screen. Attach mounting brackets to display using the M6 screws (see Figure 6 & Figure 7). If the shape of the display allows, use the shorter screw and only one spacer per hole.
- With the aid of another person, lift your display up to the Chief Mount, aligning buttons of mounting brackets with slots in the Chief Mount.
- Lower safety latch on the Chief Mount to secure your display, making sure latch is completely engaged.

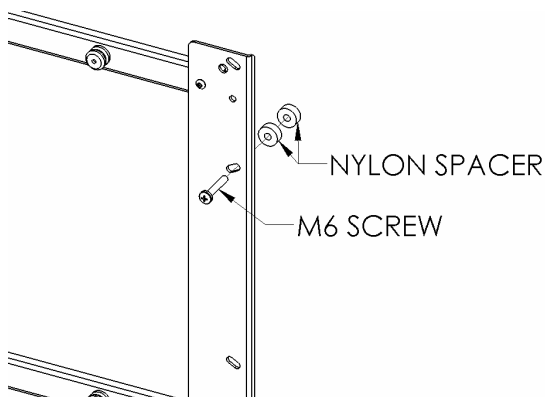


Figure 6

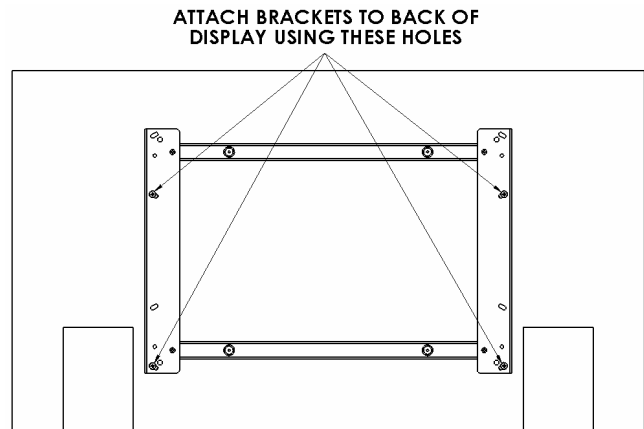


Figure 7