

INSTALLATION INSTRUCTIONS

PSB-2125, 2148 DISPLAY MOUNTING BRACKET

Prior to assembly, unpack carton completely and verify contents.

If you are missing any of the following components, please contact Customer Service at 1-800/582-6480

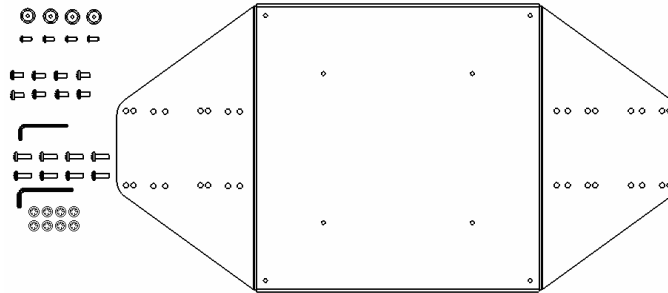


Figure 1

- (1) Interface Bracket
- (4) 10-24 Button Head Cap Screws
- (1) 1/8" Hex Key
- (1) 4mm Hex Key

- (4) Mounting Buttons-10-24 Tapped
- (8) M6 x 12 mm Phillips Pan Head Screw
- (8) M6 x 20mm Button Head Cap Screws
- (8) M6 internal Tooth Lock Washer

BEFORE PROCEEDING, READ INSTALLATION INSTRUCTIONS COMPLETELY

CAUTION! DISPLAYS ARE EXTREMELY FRAGILE.

WARNING!

ALL COMPONENTS MUST BE SECURELY FASTENED TO A STRUCTURAL MEMBER CAPABLE OF SUPPORTING 4 TIMES THE COMBINED WEIGHT OF ALL COMPONENTS PLUS THE EQUIPMENT BEING MOUNTED. IF IT CANNOT SUPPORT THIS WEIGHT, THE STRUCTURE MUST BE REINFORCED.

THE MAXIMUM WEIGHT TO BE INSTALLED ON THE MOUNT IS 175 POUNDS (79.38 KG).

1. Using a 10-24 button head cap screw inserted from back side of bracket, secure mounting button, with chamfered hole of mounting button (larger surface) facing bracket, to bracket (four places) (see Figure 2).

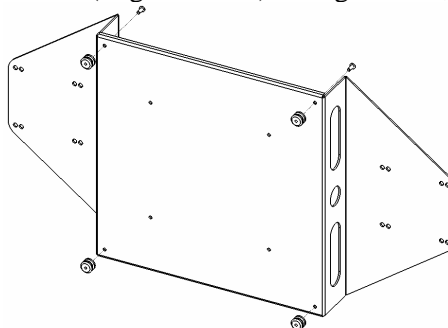


Figure 2



CHIEF MANUFACTURING INC.
1-800-582-6480 952-894-6280 FAX 952-894-6918
8401 EAGLE CREEK PKWY, STE. 700
SAVAGE, MINNESOTA 55378 USA

8804-000319 RevC
2007 Chief Manufacturing
www.chiefmfg.com
10/07

2. Attach mounting bracket to the display using the M6 screws that fit best and the lock washers (see Figure 4).

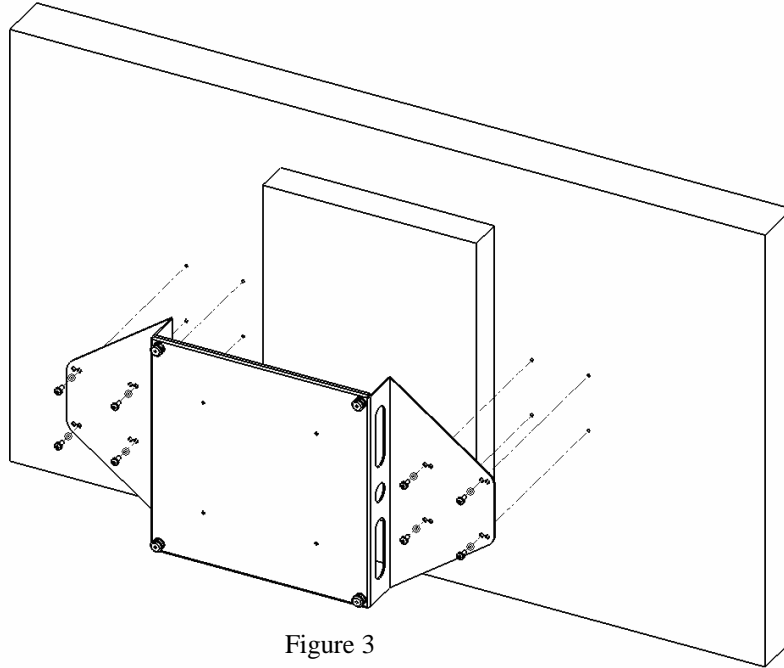


Figure 3

3. With the aid of another person, lift your display up to the Chief Mount, aligning buttons of mounting brackets with slots in the Chief Mount.
4. Engage safety latch on the Chief Mount to secure your display, making sure latch is completely engaged.