



INSTALLATION INSTRUCTIONS

# PSB-2134 LCD DISPLAY MOUNTING BRACKET

Prior to assembly, unpack carton completely and verify contents.

If you are missing any of the following components, please contact Customer Service at 1-800/582-6480

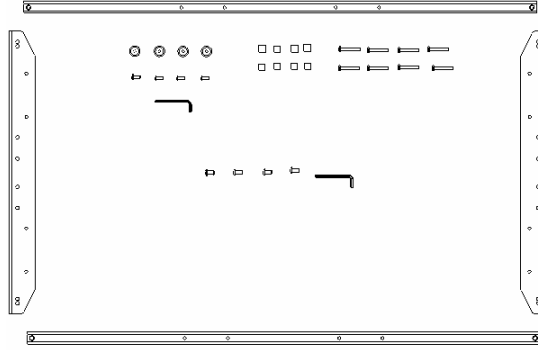


Figure 1

- (2) LCD Interface Side Brackets
- (4) Mounting Buttons
- (4) 1/4-20 x .5" Button Head Cap Screws
- (8) .50 x .194 x .50 Nylon Spacers
- (1) 5/32" Allen Key

- (2) LCD Interface Center Brackets
- (4) 10-24 x .5" Button Head Cap Screws
- (8) M5 x 35mm Phillips Head Cap Screws
- (1) 1/8" Allen Key

BEFORE PROCEEDING, READ INSTALLATION INSTRUCTIONS COMPLETELY

## CAUTION! LCD DISPLAYS ARE EXTREMELY FRAGILE.

1. Using a 10-24 button head cap screw inserted from back side of bracket, secure mounting button, with chamfered hole of mounting button (larger surface) facing bracket, to center brackets (four places) (see Figure 2 & Figure 3).

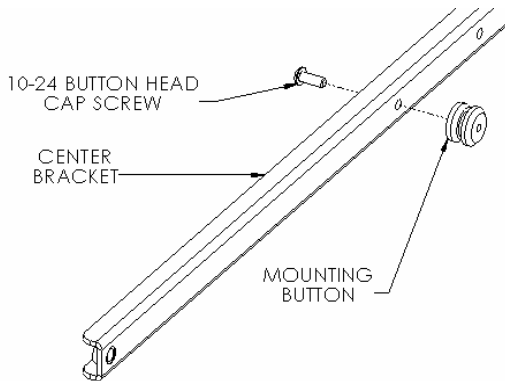


Figure 2

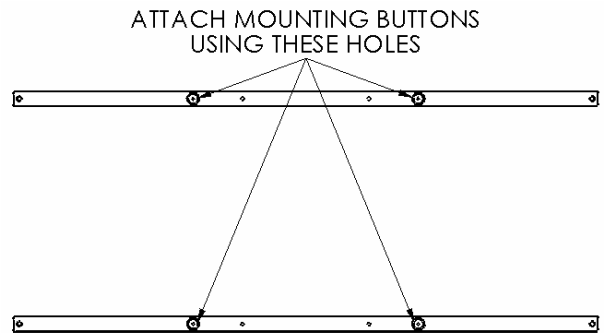


Figure 3

2. Attach center brackets to side brackets using the 1/4-20 screws (see Figure 4 & Figure 5).

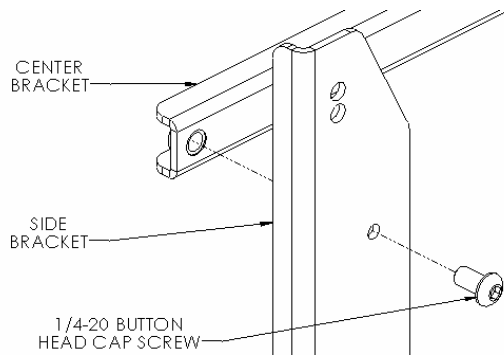


Figure 4

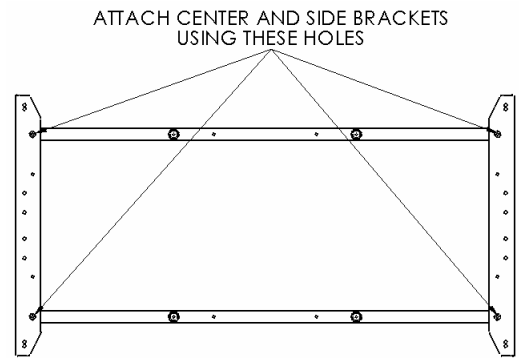


Figure 5

3. Place nylon spacers over mounting holes on the back of the panel.
4. Using M5 screws, secure side brackets to display (see Figure 6 & Figure 7). Do not over tighten screws. The 1/4-20 button head cap screws attaching the side and center brackets may need to be loosened in order to line up holes on display. If this is done, please be sure to tighten them once again.
5. With the aid of another person, lift LCD Display up to the Chief Mount, aligning buttons of mounting brackets with slots in the Chief Mount.
6. Lower safety latch on the Chief Mount to secure LCD Display, making sure latch is completely engaged.

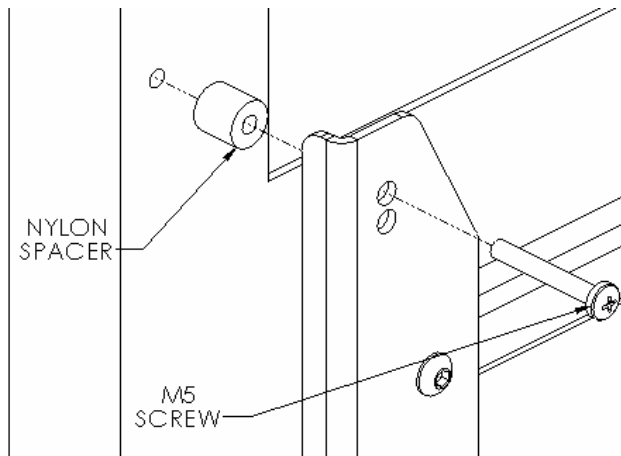


Figure 6

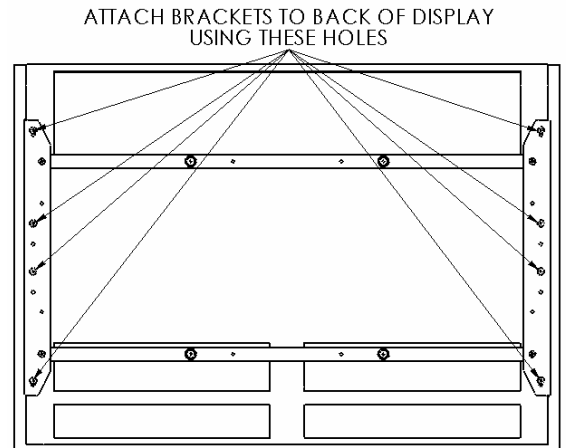


Figure 7