



INSTALLATION INSTRUCTIONS

PSB-2135 LCD DISPLAY MOUNTING BRACKET

Prior to assembly, unpack carton completely and verify contents.

If you are missing any of the following components, please contact Customer Service at 1-800/582-6480

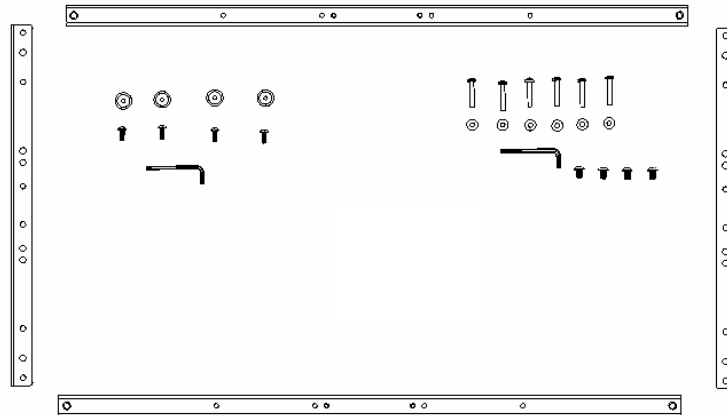


Figure 1

- (2) LCD Interface Side Brackets
- (6) M5-.8 x 30mm Phillips Head Cap Screws
- (4) 1/4-20 x 3/8" Button Head Cap Screws
- (4) Large Flat Screen Mounting Buttons-Tapped 10-24
- (1) 1/8" Allen Key

- (2) LCD Interface Center Brackets
- (6) .5 OD x .256 ID x .625 Round Nylon Spacers
- (1) 5/32" Allen Key
- (4) 10-24 x .5" Button Head Cap Screws

BEFORE PROCEEDING, READ INSTALLATION INSTRUCTIONS COMPLETELY

CAUTION! LCD Displays are extremely fragile.

1. Using a 10-24 button head cap screw inserted from back side of *center* brackets, secure mounting button with chamfered hole of mounting button (larger surface) facing bracket, to bracket (4 places) (see Figure 1 and Figure 2).

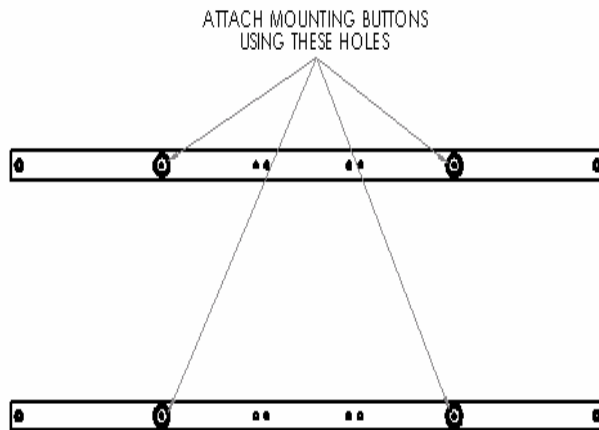


Figure 1

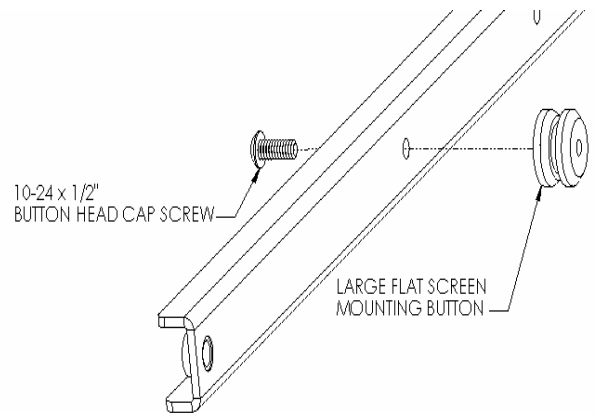


Figure 2

2. Attach center brackets to side brackets using the 1/4-20 screws (see Figure 3 and Figure 4).

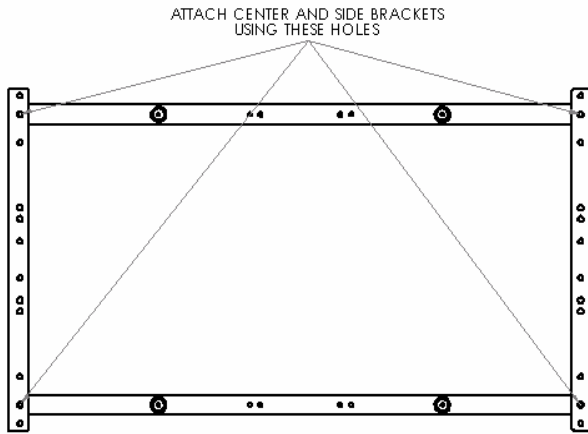


Figure 3

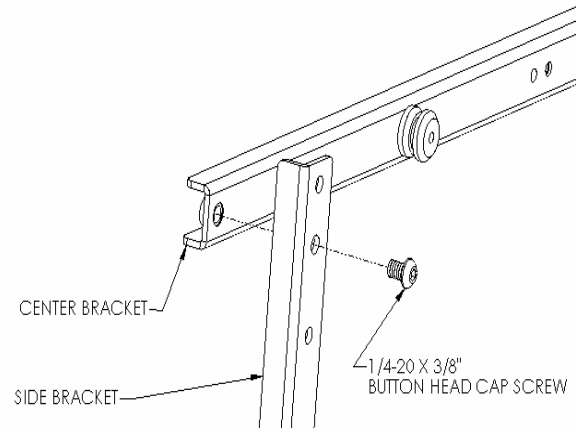


Figure 4

3. Place Nylon spacers on mounting holes, aligning hole pattern on *side* brackets with pattern on back of display (see Figure 5 & Figure 6).
4. Using M5 Phillips head screws, secure side brackets to display. Do not over tighten screws.
5. With the aid of another person, lift display up to the Chief Mount, aligning buttons of mounting brackets with slots in the Chief Mount.
6. Lower safety latch on the Chief Mount to secure display, making sure latch is completely engaged.

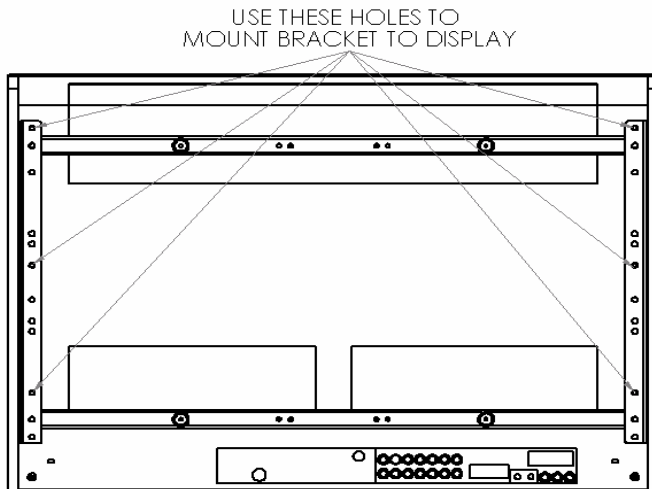


Figure 5

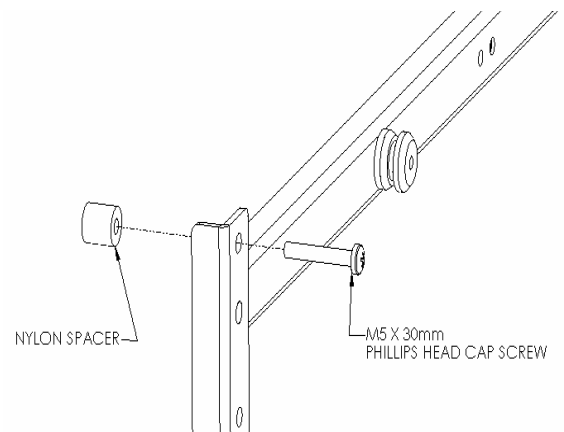


Figure 6