



## INSTALLATION INSTRUCTIONS

# PSB-2137 LCD DISPLAY MOUNTING BRACKET

Prior to assembly, unpack carton completely and verify contents.  
If you are missing any of the following components, please contact Customer Service at 1-800/582-6480

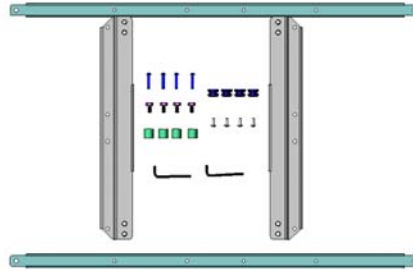


Figure 1

- |   |  |
|---|--|
| (2) LCD Interface Side Brackets                     | (2) LCD Interface Center Brackets              |
| (4) M5-.8 x 25mm Button Head Cap Screws             | (4) .68 OD x .39 ID x .625 Round Nylon Spacers |
| (4) 1/4-20 x 1/2" Hex Head Cap Screws               | (1) 3mm Allen Key                              |
| (4) Large Flat Screen Mounting Buttons-Tapped 10-24 | (4) 10-24 x .5" Button Head Cap Screws         |
| (1) 1/8" Allen Key                                  |  |

BEFORE PROCEEDING, READ INSTALLATION INSTRUCTIONS COMPLETELY

## **CAUTION!** LCD Displays are extremely fragile.

1. Using a 10-24 button head cap screw inserted from back side of center brackets, secure mounting button with chamfered hole of mounting button (larger surface) facing bracket, to bracket (4 places) (See Figure 2 and Figure 3).

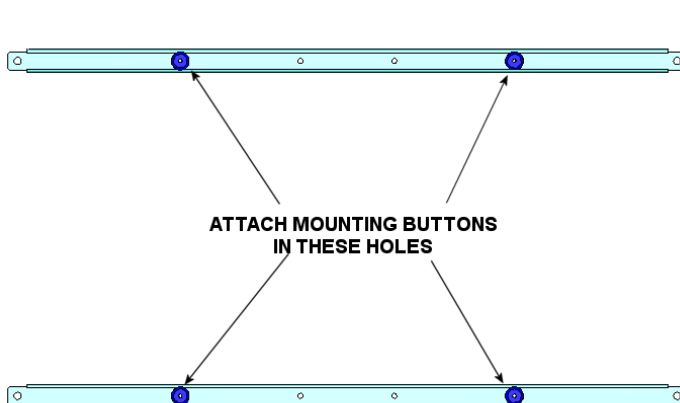


Figure 2

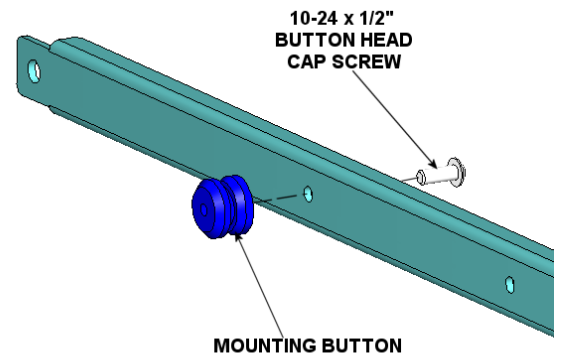


Figure 3

- Attach side brackets to screen using the M5 button head screws and the nylon spacers between the bracket and the screen (See Figures 4, 5, and 6). **Do not fully tighten until the center brackets have been attached.**

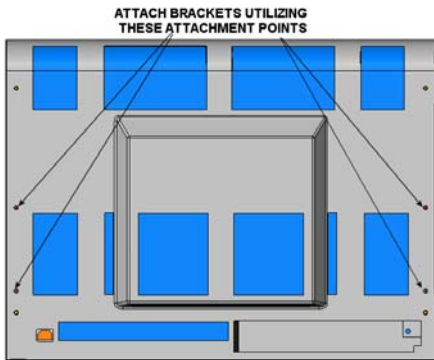


Figure 4

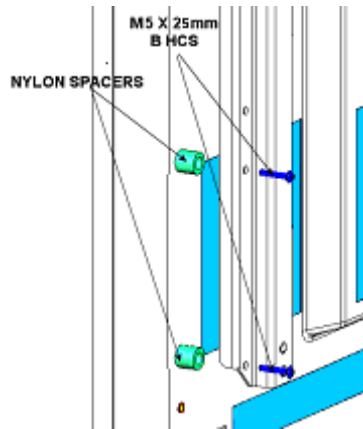


Figure 5

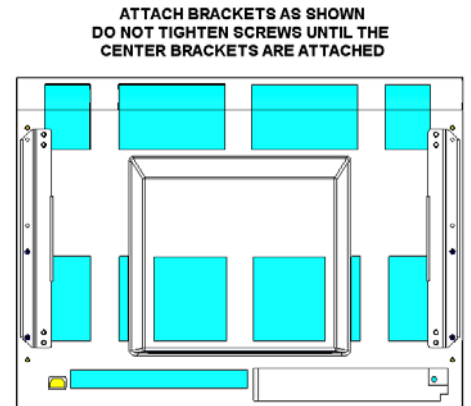


Figure 6

- Attach center brackets using the 1/4-20 hex head cap screws (See Figure 7). Once the center brackets have been attached, tighten all screws on the side brackets (See Figure 8).

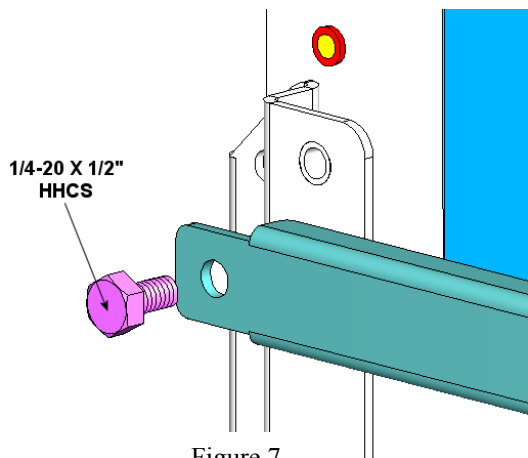


Figure 7

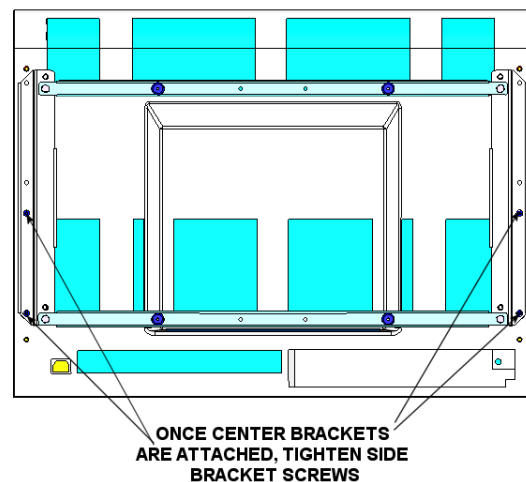


Figure 8

- With the aid of another person, lift display up to the Chief Mount, aligning buttons of mounting brackets with slots in the Chief Mount.
- Lower safety latch on the Chief Mount to secure display, making sure latch is completely engaged.