



INSTALLATION INSTRUCTIONS

# PSB-2139 LCD DISPLAY MOUNTING BRACKET

Prior to assembly, unpack carton completely and verify contents.

If you are missing any of the following components, please contact Customer Service at 1-800/582-6480

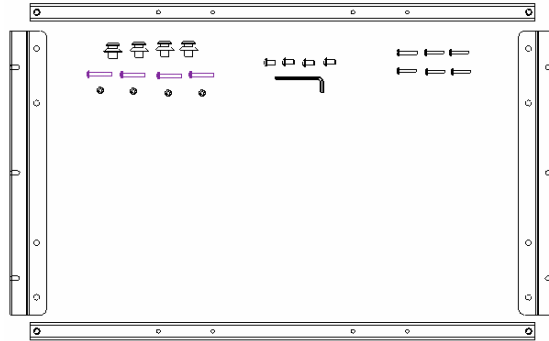


Figure 1

- (2) LCD Interface Side Brackets
- (4) Mounting Buttons – Black Nylon
- (4) 10-24 Nylock Nuts
- (6) M5 x 25mm Phillips Head Cap Screws

- (2) LCD Interface Center Brackets
- (4) 10-24 x 1.25" Phillips Head Cap Screws
- (4) 1/4-20 x .5" Button Head Cap Screws
- (1) 5/32" Allen Key

BEFORE PROCEEDING, READ INSTALLATION INSTRUCTIONS COMPLETELY

## CAUTION! LCD DISPLAYS ARE EXTREMELY FRAGILE.

1. Using a 10-24 phillips head cap screw and nylock nut, secure mounting button to center bracket (four places) (see Figure 2 & Figure 3).

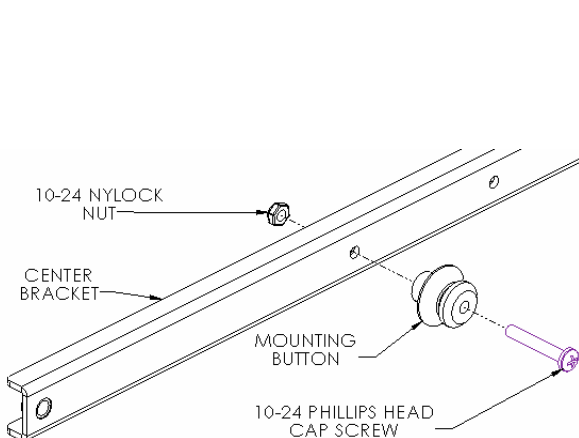


Figure 2

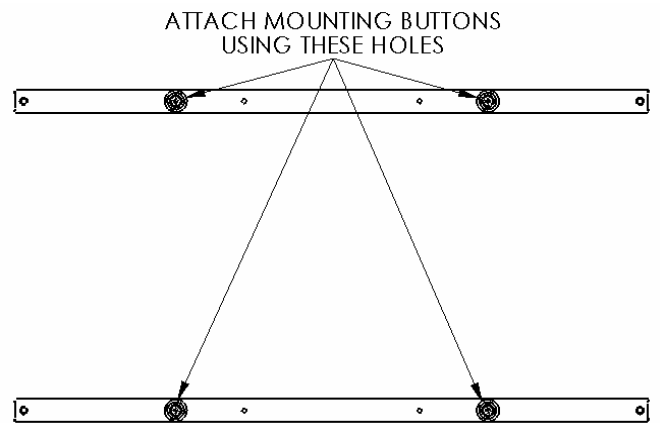


Figure 3

2. Attach center brackets to side brackets using the 1/4-20 screws (see Figure 4 & Figure 5).

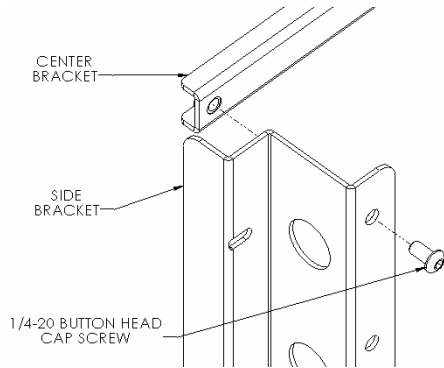


Figure 4

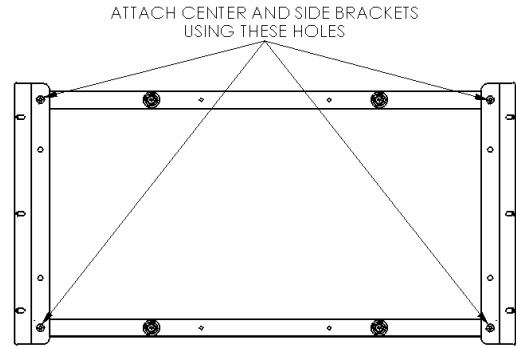


Figure 5

3. Using M5 screws, secure side brackets to display (see Figure 6 & Figure 7). Do not over tighten screws. The 1/4-20 button head cap screws attaching the side and center brackets may need to be loosened in order to line up holes on display. If this is done, please be sure to tighten them once again.
4. With the aid of another person, lift LCD Display up to the Chief Mount, aligning buttons of mounting brackets with slots in the Chief Mount.
5. Lower safety latch on the Chief Mount to secure LCD Display, making sure latch is completely engaged.

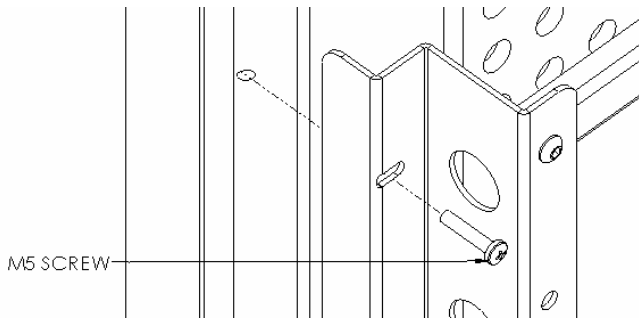


Figure 6

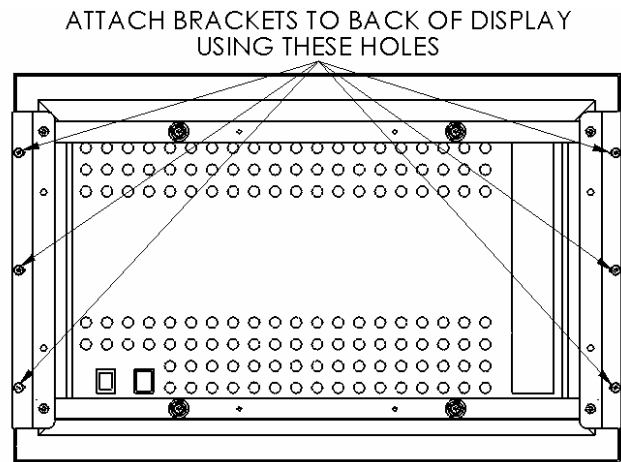


Figure 7