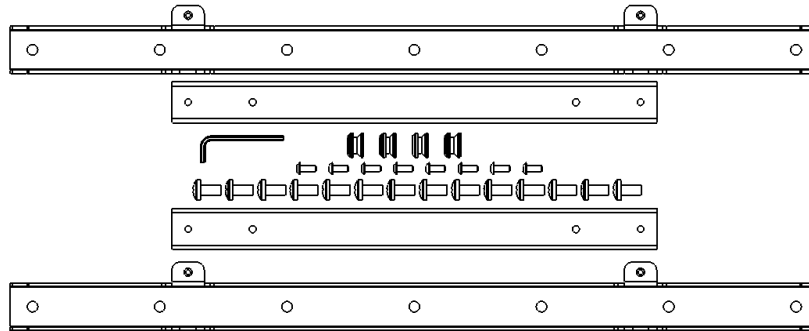


INSTALLATION INSTRUCTIONS

PSB-2144 DISPLAY MOUNTING BRACKET

Prior to assembly, unpack carton completely and verify contents.

If you are missing any of the following components, please contact Customer Service at 1-800/582-6480



(2) Interface Cross Brackets
(4) Mounting Buttons – Tapped
(14) M8 x 16mm Phillips Head Screws

Figure 1

(2) Interface Vertical Brackets
(8) 10-24 x .500 Button Head Cap Screws
(1) 1/8" Allen Key

BEFORE PROCEEDING, READ INSTALLATION INSTRUCTIONS COMPLETELY

CAUTION! DISPLAYS ARE EXTREMELY FRAGILE.

WARNING!

ALL COMPONENTS MUST BE SECURELY FASTENED TO A STRUCTURAL MEMBER CAPABLE OF SUPPORTING 4 TIMES THE COMBINED WEIGHT OF ALL COMPONENTS PLUS THE EQUIPMENT BEING MOUNTED. IF IT CANNOT SUPPORT THIS WEIGHT, THE STRUCTURE MUST BE REINFORCED. THE MAXIMUM WEIGHT TO BE INSTALLED ON THE INTERFACE IS 200 POUNDS (90.7 KG).

1. Chief Q-latch Button Installation

Using a 10-24 button head cap screw inserted from back side of bracket, secure mounting button, with chamfered hole of mounting button (larger surface) facing bracket, to vertical brackets (four places) (see Figure 2 & Figure3).

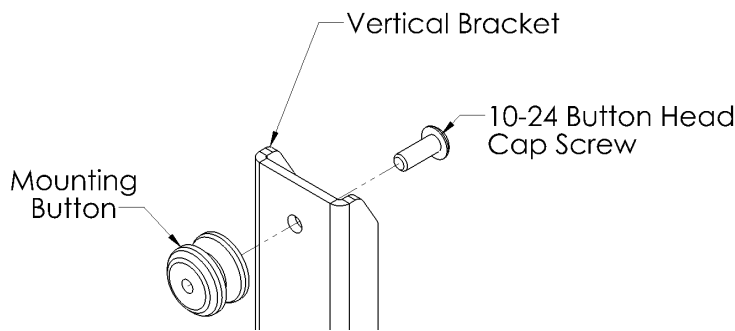


Figure 2

**Attach Mounting Buttons
Using These Holes**

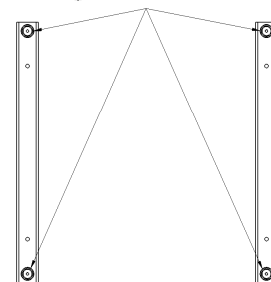


Figure 3

2. Bracket Installation:

Place cross brackets on back of display with the raised tabs facing outward. Fasten the brackets to the back of the screen using the M8 screws. Many screens will not require all 14 of the screws. Use what is needed for the applicable holes on your display. (see Figure 4 & Figure 5). Do not over tighten screws.

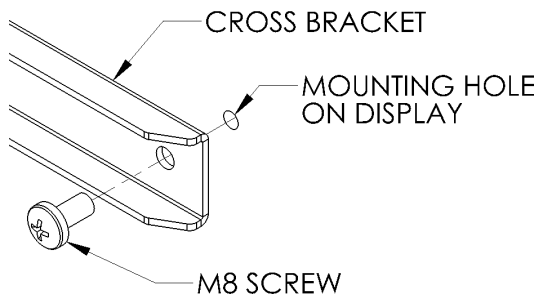


Figure 4

ATTACH BRACKETS TO BACK OF DISPLAY
USING APPLICABLE HOLES

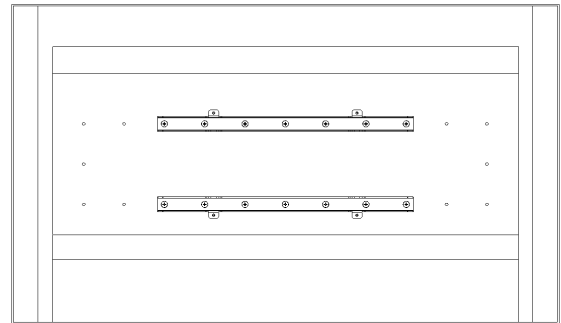


Figure 5

3. Bracket Assembly:

Using the 10-24 button head cap screws attach the vertical bracket to the cross brackets. Do not fully tighten the screws till of them have been inserted and partially started (see Figure 6 & Figure 7).

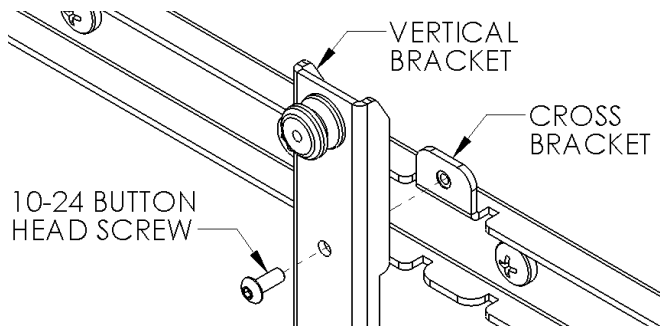


Figure 6

ATTACH VERTICAL BRACKETS TO
CROSS BRACKETS USING THESE HOLES

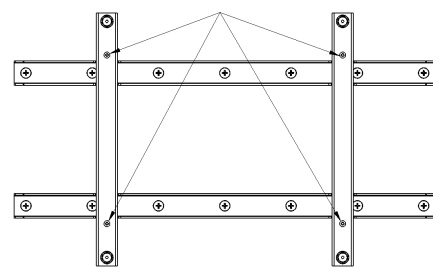


Figure 7

4. Follow the Chief mount instruction manual for screen installation.

