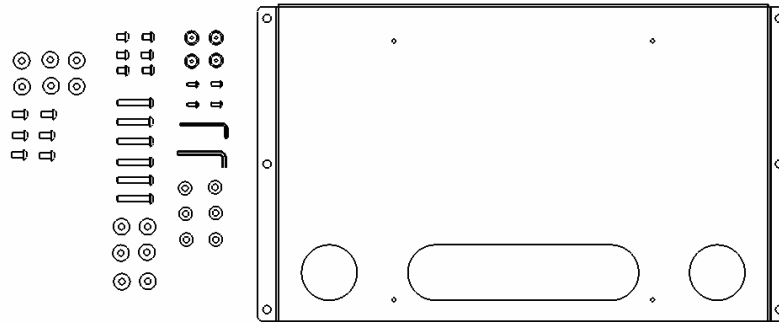


INSTALLATION INSTRUCTIONS

PSB-2151 DISPLAY MOUNTING BRACKET

Prior to assembly, unpack carton completely and verify contents.

If you are missing any of the following components, please contact Customer Service at 1-800/582-6480



- Figure 1
- | | |
|--|--|
| (1) Interface Bracket | (4) Mounting Buttons-10-24 Tapped |
| (4) 10-24 Button Head Cap Screws | (6) M8 x 12 mm Button Head Cap Screw |
| (6) .875 x .330 x .375 White Nylon Spacer | (1) 1/8" Allen Key |
| (6) 18mm x 8.3mm x 20mm Black Nylon Spacer | (6) M8 x 45mm Button Head Cap Screw |
| (6) M8 x 16mm Button Head Cap Screw | (6) 1.120 x .390 x .125 White Nylon Spacer |
| (1) M5 Allen Key | |

BEFORE PROCEEDING, READ INSTALLATION INSTRUCTIONS COMPLETELY

CAUTION! **DISPLAYS ARE EXTREMELY FRAGILE.**

1. Using a 10-24 button head cap screw inserted from back side of bracket, secure mounting button, with chamfered hole of mounting button (larger surface) facing bracket, to bracket (four places) (see Figure 2 & Figure 3). Make sure bends of interface bracket face away from buttons.

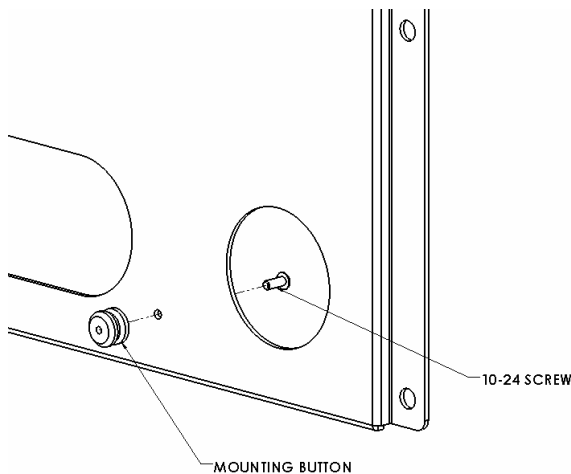


Figure 2

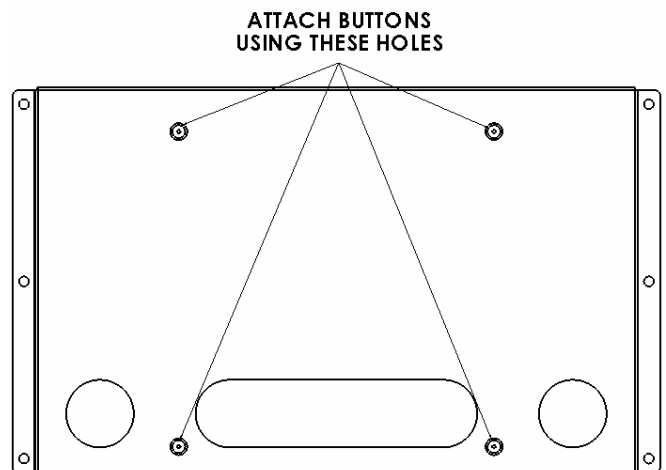


Figure 3



CHIEF MANUFACTURING INC.
1-800-582-6480 952-894-6280 FAX 952-894-6918
8401 EAGLE CREEK PKWY, STE. 700
SAVAGE, MINNESOTA 55378 USA

8804-000106 RevD
2006 Chief Manufacturing
www.chiefmfg.com
10/06

- Place interface bracket over mounting holes on back of screen. Attach mounting brackets to the display using the 12mm or 16mm M8 screws (see Figure 4 & Figure 5).

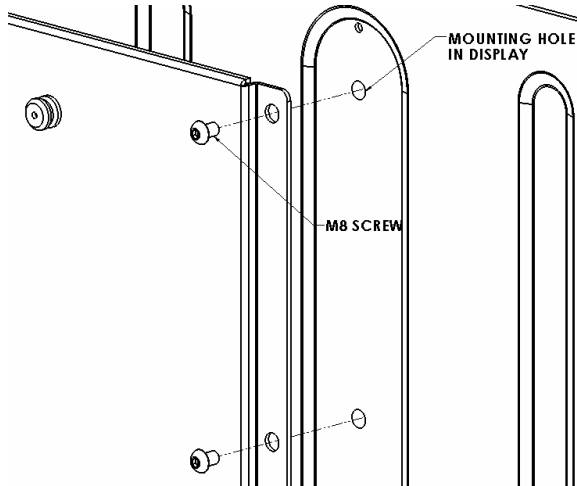


Figure 4

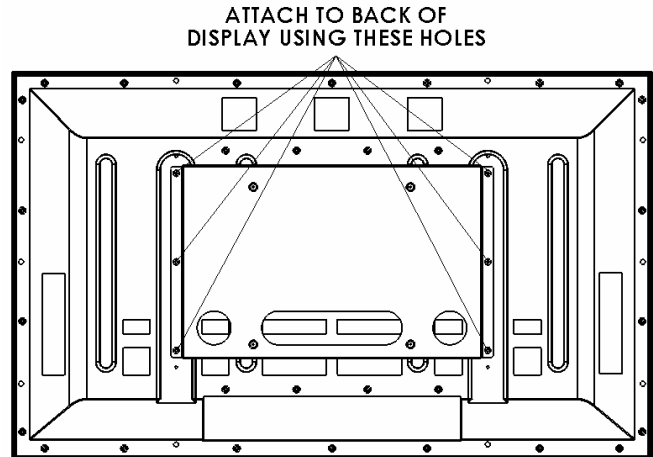


Figure 5

- If necessary, stack white and black nylon spacers over mounting holes and use longer M8 screws to clear any protrusions on the back of the display. Select the best white nylon spacer that best works with your particular display (see Fig 6).

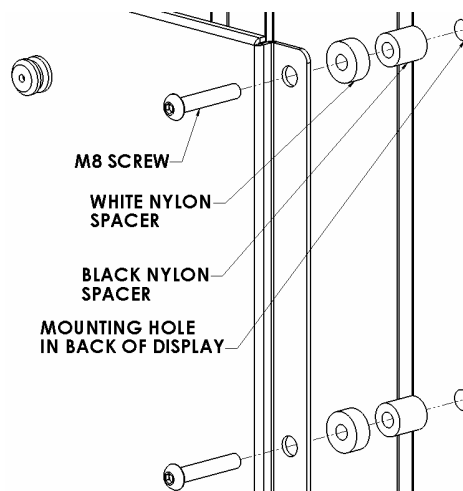


Figure 5

- With the aid of another person, lift your display up to the Chief Mount, aligning buttons of mounting brackets with slots in the Chief Mount.
- Lower safety latch on the Chief Mount to secure your display, making sure latch is completely engaged.