

INSTALLATION INSTRUCTIONS

PSB-2156 DISPLAY MOUNTING BRACKET

Prior to assembly, unpack carton completely and verify contents.

If you are missing any of the following components, please contact Customer Service at 1-800/582-6480.

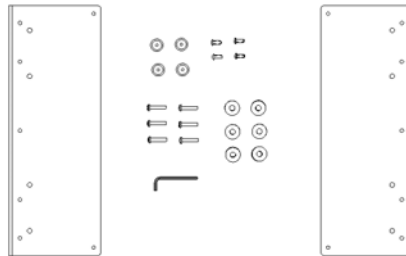


Figure 1

(2) Interface Brackets

(4) 10-24 Button Head Cap Screws

(6) .875 x .33 x .375 Nylon Spacer

(4) Mounting Buttons-10-24 Tapped

(6) M5 x 25 mm Philips Pan Head Screw

(1) 1/8" Allen Key

BEFORE PROCEEDING, READ INSTALLATION INSTRUCTIONS COMPLETELY.

CAUTION! DISPLAYS ARE EXTREMELY FRAGILE.

WARNING! ALL COMPONENTS MUST BE SECURELY FASTENED TO A STRUCTURAL MEMBER CAPABLE OF SUPPORTING FOUR TIMES THE COMBINED WEIGHT OF ALL COMPONENTS PLUS THE EQUIPMENT BEING MOUNTED. IF IT CANNOT SUPPORT THIS WEIGHT, THE STRUCTURE MUST BE REINFORCED.

THE MAXIMUM WEIGHT TO BE INSTALLED ON THE MOUNT IS 175 POUNDS (79.38 KG).

1. Using a 10-24 button head cap screw inserted from back side of bracket, secure mounting button, with chamfered hole of mounting button (larger surface) facing bracket, to bracket (four places) (see Figure 2 and Figure 3). Make sure bends of interface bracket face away from buttons.

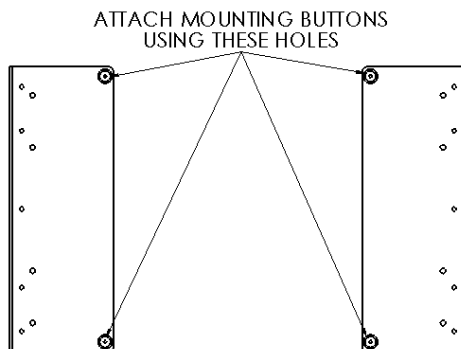


Figure 2

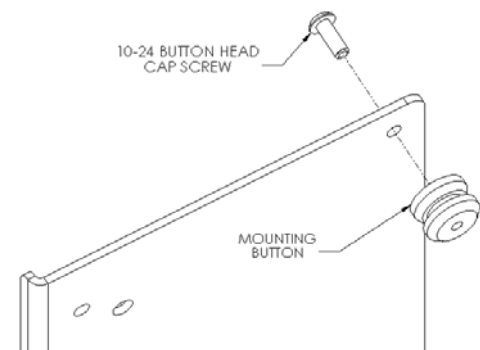
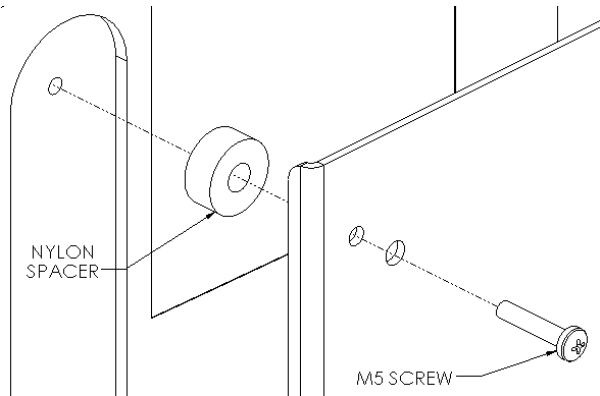
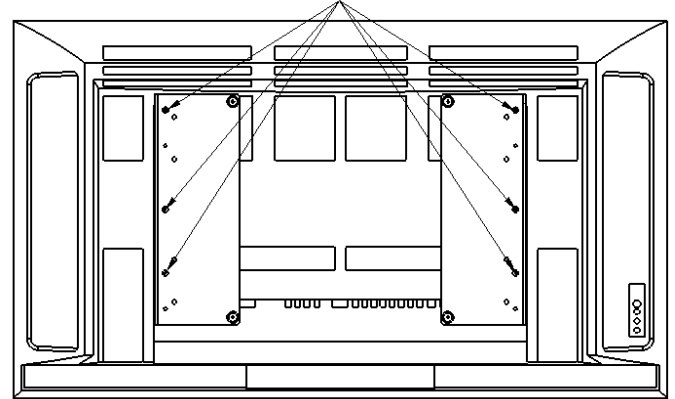


Figure 3

2. Place Nylon spacers over mounting holes on back of screen. Attach mounting brackets to the display using the M5 screws (see Figure 4 and Figure 5).
3. With the aid of another person, lift your display up to the Chief Mount, aligning buttons of mounting brackets with slots in the Chief Mount.
4. Lower safety latch on the Chief Mount to secure your display, making sure latch is completely engaged.

**Figure 4**

ATTACH BRACKETS TO BACK OF DISPLAY
USING THESE HOLES

**Figure 5**