



## INSTALLATION INSTRUCTIONS

# PSB-2160

## PLASMA DISPLAY MOUNTING BRACKET

Prior to assembly, unpack carton completely and verify contents.

If you are missing any of the following components, please contact Customer Service at 1-800/582-6480



Figure 1

- (1) Plasma Static Mount Left Bracket
- (4) Mounting Buttons-Black Threaded
- (4) M5-.8 x 70mm Philips Head Screws
- (4) M4-.7 x 12mm Philips Head Screws

- (1) Plasma Static Mount Right Bracket
- (4) 10-24 x .5 flat head Cap Screws
- (1) 1/8" Allen Key

**BEFORE PROCEEDING, READ INSTALLATION INSTRUCTIONS COMPLETELY**

## **CAUTION!** PLASMA DISPLAYS ARE EXTREMELY FRAGILE.

1. Using a 10-24 flat head cap screw inserted from the back side of bracket, secure mounting button, with chamfered hole of mounting button (larger surface) facing bracket, to bracket (four places) (see Figure 2).
2. Align hole pattern on brackets with pattern on back of Plasma Display (see Figure 3 & Figure 4). Using the enclosed 5mm and 4mm screws, attach brackets to Plasma Display.
3. With the aid of another person, lift Plasma Display up to the Chief Mount, aligning buttons of mounting brackets with slots in the Chief Mount.
4. Lower safety catch on the Chief Mount to secure Plasma Display, making sure catch is completely engaged.

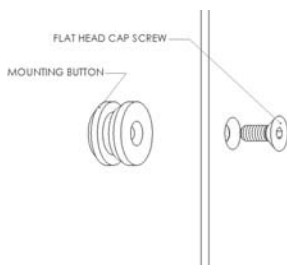


Figure 2

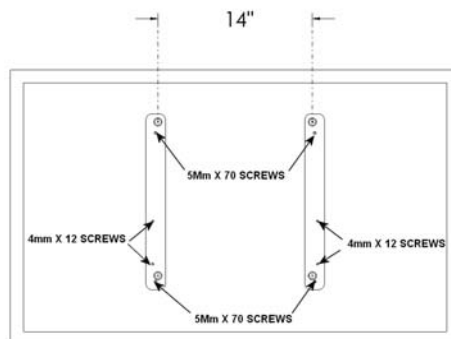


Figure 3



Figure 4