



## INSTALLATION INSTRUCTIONS

# PSB-2163

## PLASMA DISPLAY MOUNTING BRACKET

Prior to assembly, unpack carton completely and verify contents.

If you are missing any of the following components, please contact Customer Service at 1-800/582-6480

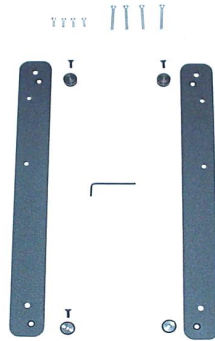


Figure 1

- (1) Plasma Static Mount Left Bracket
- (4) Mounting Buttons-Black Threaded
- (2) M4 x 25mm Philips Head Screws
- (4) M4 x 12mm Philips Head Screws
- (1) 3mm Allen Key

- (1) Plasma Static Mount Right Bracket
- (4) 10-24 x .5 flat head Cap Screws
- (1) 1/8" Allen Key
- (4) M5 x 25mm BHCS

**BEFORE PROCEEDING, READ INSTALLATION INSTRUCTIONS COMPLETELY**

### **CAUTION!** PLASMA DISPLAYS ARE EXTREMELY FRAGILE.

1. Using a 10-24 flat head cap screw inserted from the backside of bracket, secure mounting button, with chamfered hole of mounting button (larger surface) facing bracket, to bracket (four places) (See Figure 2).
2. Align hole pattern on brackets with pattern on back of Plasma Display (see Figure 3 & Figure 4). Using the enclosed 5mm and 4mm screws, attach brackets to plasma using the sizes in the holes (see Figure 3).
3. With the aid of another person, lift Plasma Display up to the Chief Mount, aligning buttons of mounting brackets with slots in the Chief Mount.
4. Lower safety catch on the Chief Mount to secure Plasma Display, making sure catch is completely engaged.

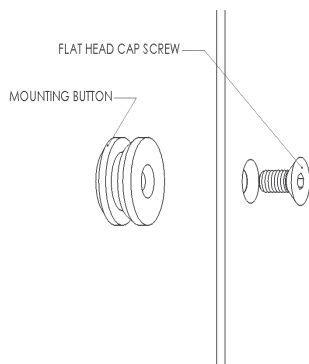


Figure 2

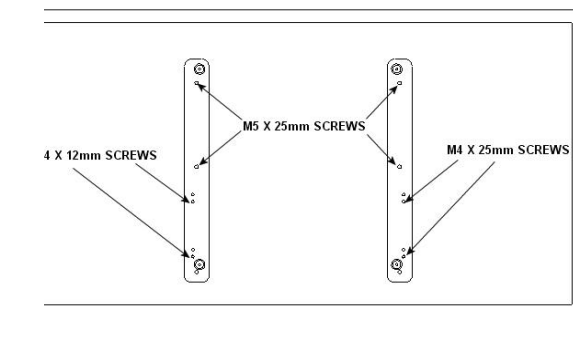


Figure 3



Figure 4