

INSTALLATION INSTRUCTIONS

PSB-2201 & PSB-2202 DISPLAY MOUNTING BRACKET

Prior to assembly, unpack carton completely and verify contents.

If you are missing any of the following components, please contact Customer Service at 1-800/582-6480

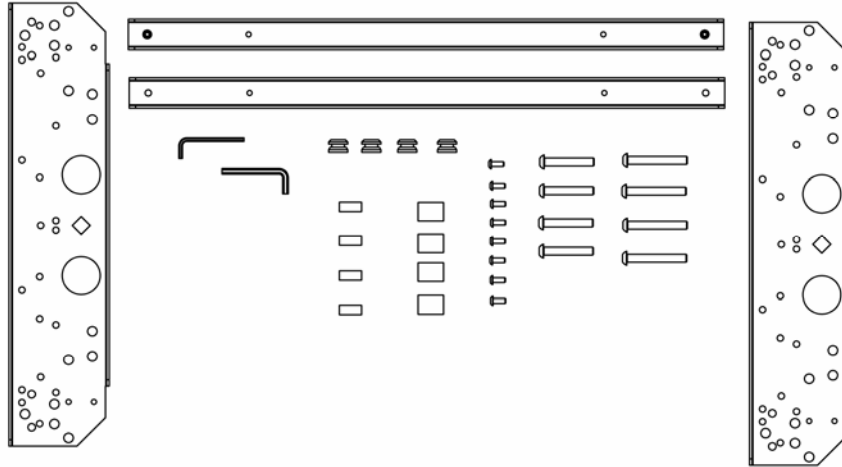


Figure 1

- (1) Plasma Side Bracket
- (4) Mounting Button - Tapped
- (4) M8 x 50 Button Head Cap Screw
- (1) 1/8 Allen Key
- (4) M8 x 60 Button Head Cap Screw

- (2) Plasma Top/Bottom Bracket
- (8) 10-24 x .5 Button Head Cap Screw
- (4) .740 x .390 x 1.0 Nylon Spacer
- (1) M5 Allen Key
- (4) .875 x .330 x .375 Nylon Spacer

BEFORE PROCEEDING, READ INSTALLATION INSTRUCTIONS COMPLETELY

CAUTION! DISPLAYS ARE EXTREMELY FRAGILE.

1. Using a 10-24 button head cap screw inserted from back side of bracket, secure mounting button, with chamfered hole of mounting button (larger surface) facing bracket, to top and bottom brackets (four places) (see Figure 2 & Figure 3).
2. Using four 10-24 button head cap screws, attach top and bottom to side brackets (see Figure 4 & Figure 5).

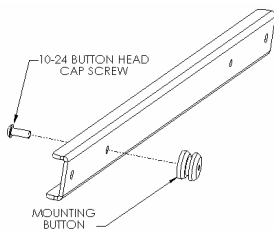


Figure 2

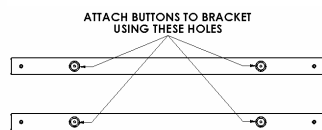


Figure 3

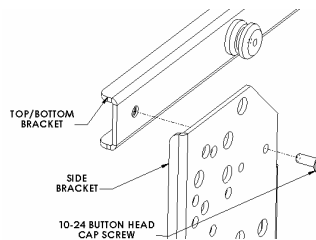


Figure 4

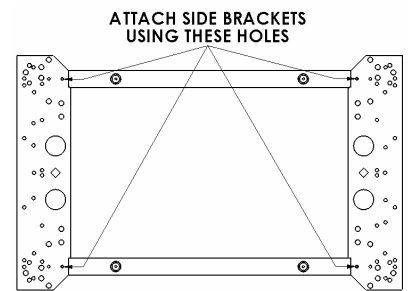


Figure 5



CHIEF MANUFACTURING INC.
1-800-582-6480 952-894-6280 FAX 952-894-6918
8401 EAGLE CREEK PKWY, STE. 700
SAVAGE, MINNESOTA 55378 USA

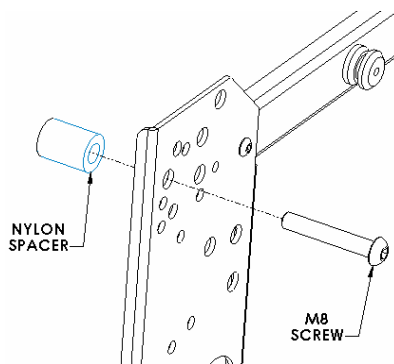
8804-000220 REV. C
2005 Chief Manufacturing
www.chiefmfg.com
08/05

WARNING!

ALL COMPONENTS MUST BE SECURELY FASTENED TO A STRUCTURAL MEMBER CAPABLE OF SUPPORTING 4 TIMES THE COMBINED WEIGHT OF ALL COMPONENTS PLUS THE EQUIPMENT BEING MOUNTED. IF IT CANNOT SUPPORT THIS WEIGHT, THE STRUCTURE MUST BE REINFORCED.

THE MAXIMUM WEIGHT TO BE INSTALLED ON THE MOUNT IS 175 POUNDS (79.38 KG).

3. Place white Nylon spacers over mounting holes on back of screen. Attach mounting brackets to display using the M8 screws (see Figure 6 & Figure 7). If screen contains a Tuner or Media Box on back of screen, stack both short and long spacers over mounting holes and attach using the M8 x 60mm screws.
4. With the aid of another person, lift your display up to the Chief Mount, aligning buttons of mounting brackets with slots in the Chief Mount.
5. Lower safety latch on the Chief Mount to secure your display, making sure latch is completely engaged.



ATTACH BRACKET TO BACK OF DISPLAY USING THESE HOLES

