



## INSTALLATION INSTRUCTIONS

# PSB-2212 LCD DISPLAY MOUNTING BRACKET

Prior to assembly, unpack carton completely and verify contents.

If you are missing any of the following components, please contact Customer Service at 1-800/582-6480

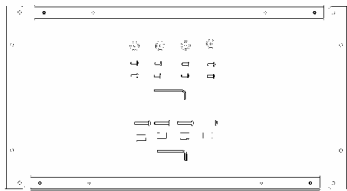


Figure 1

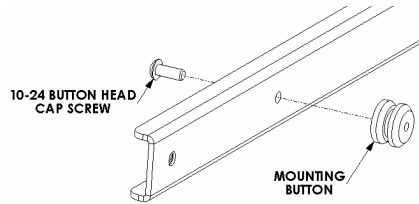


Figure 2

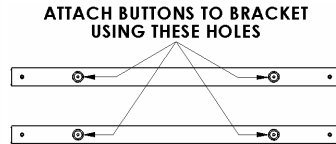


Figure 3

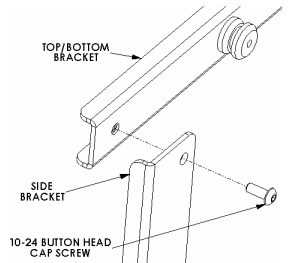


Figure 4

- (2) LCD Interface Side Bracket
- (4) M6 x 30mm Button Head Cap Screw
- (8) 10-24 x .5" Button Head Cap Screw
- (4) 1/8" Allen Key

- (2) LCD Interface Top/Bottom Bracket
- (4) .50 OD x .316 ID x .5 Round Nylon Spacers
- (4) Mounting Buttons – Tapped
- (1) M4 Allen Key

BEFORE PROCEEDING, READ INSTALLATION INSTRUCTIONS COMPLETELY

## CAUTION! LCD Displays are extremely fragile.

1. Using a 10-24 button head cap screw inserted from back side of *top* and *bottom* brackets, secure mounting button with chamfered hole of mounting button (larger surface) facing bracket, to brackets (4 places) (see Figure 2 & Figure 3).
2. Using four 10-24 button head cap screws, attach top and bottom to side brackets (See Figure 4 & Figure 5).
3. Place Nylon spacers over mounting holes on back of screen. Attach mounting brackets to display using the M6 screws (see Figure 6 & Figure 7).
4. With the aid of another person, lift display up to Chief Mount, aligning buttons of mounting brackets with slot in the Chief Mount.
5. Lower safety latch on the Chief Mount to secure your display, making sure latch is completely engaged.

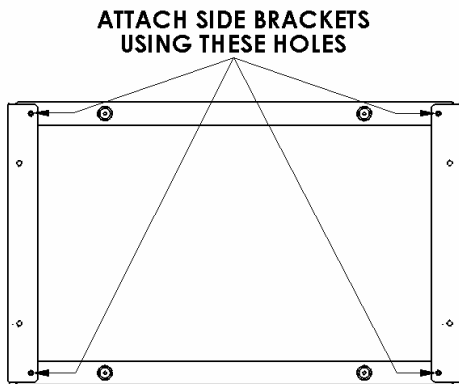


Figure 5

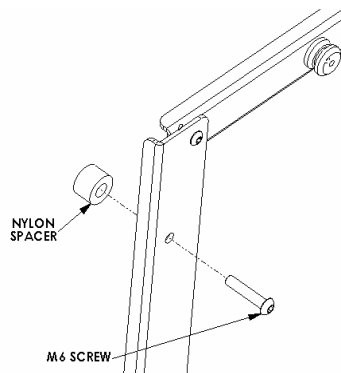


Figure 6

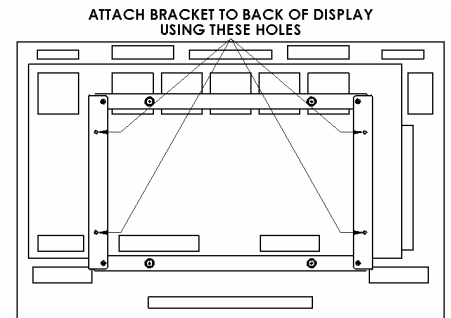


Figure 7