

INSTALLATION INSTRUCTIONS

PSB-2234 DISPLAY MOUNTING BRACKET^{UL}

Prior to assembly, unpack carton completely and verify contents.

If you are missing any of the following components, please contact Customer Service at 1-800/582-6480

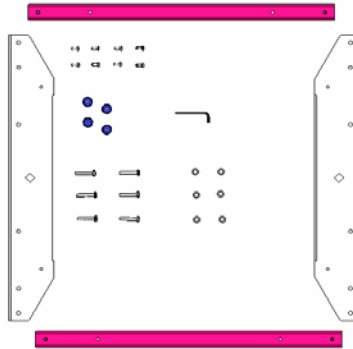


Figure 1

(2) Side Bracket

(4) Mounting Button - Tapped

(6) M6 x 35 Phillips Head Cap Screw

(1) 1/8 Hex Key

(2) Top/Bottom Bracket

(8) 10-24 x .5 Button Head Cap Screw

(6) Nylon Spacer

BEFORE PROCEEDING, READ INSTALLATION INSTRUCTIONS COMPLETELY

CAUTION! PLASMA DISPLAYS ARE EXTREMELY FRAGILE.

WARNING! ALL COMPONENTS MUST BE SECURELY FASTENED TO A STRUCTURAL MEMBER CAPABLE OF SUPPORTING 4 TIMES THE COMBINED WEIGHT OF ALL COMPONENTS PLUS THE EQUIPMENT BEING MOUNTED. IF IT CANNOT SUPPORT THIS WEIGHT, THE STRUCTURE MUST BE REINFORCED. THE MAXIMUM WEIGHT TO BE INSTALLED ON THE MOUNT IS 175 POUNDS (79.38 KG).

1. Using a 10-24 button head cap screw inserted from back side of bracket, secure mounting button, with chamfered hole of mounting button (larger surface) facing bracket, to bracket (four places) (see Figure 2 & Figure 3). Make sure bends of interface bracket face away from buttons.

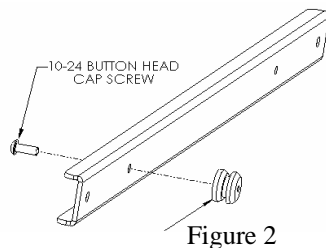


Figure 2

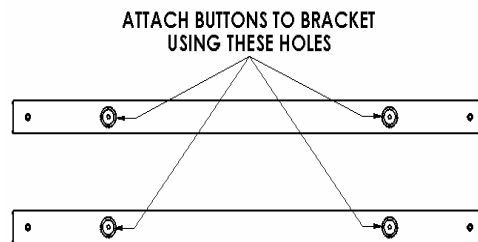


Figure 3



CHIEF MANUFACTURING INC.
1-800-582-6480 952-894-6280 FAX 952-894-6918
8401 EAGLE CREEK PKWY, STE. 700
SAVAGE, MINNESOTA 55378 USA

8804-000221 REV. A
2004 Chief Manufacturing
www.chiefmfg.com
11/04

2. Using four 10-24 button head cap screws, attach top and bottom to side brackets (see Figure 4 & Figure 5).
3. Place nylon spacers over mounting holes on back of screen. Attach mounting brackets to display using the M6 screws (see Figure 6 & Figure 7).
4. With the aid of another person, lift your display up to the Chief Mount, aligning buttons of mounting brackets with slots in the Chief Mount.
5. Lower safety latch on the Chief Mount to secure your display, making sure latch is completely engaged.

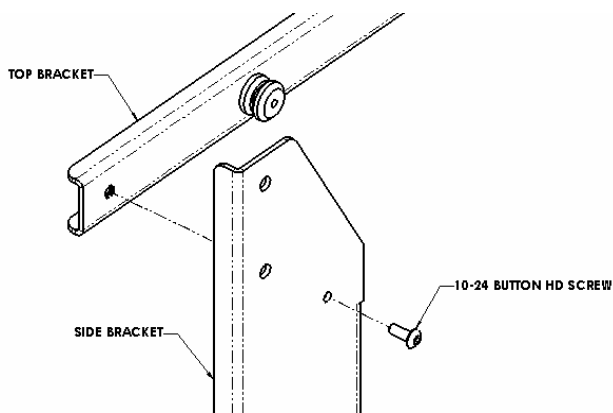


Figure 4

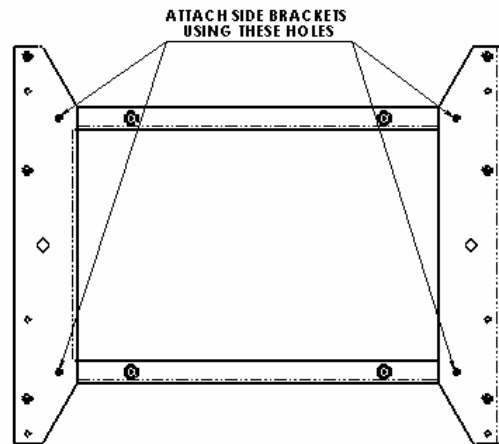


Figure 5

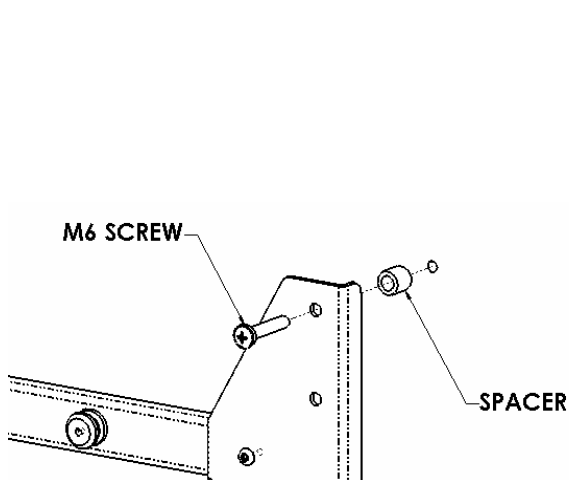


Figure 6

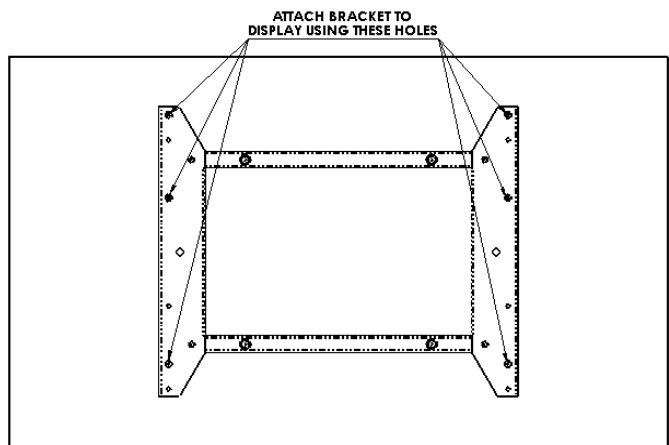


Figure 7