



INSTALLATION INSTRUCTIONS

PSB-2240 PLASMA DISPLAY MOUNTING BRACKET

Prior to assembly, unpack carton completely and verify contents.

If you are missing any of the following components, please contact Customer Service at 1-800/582-6480



Figure 1

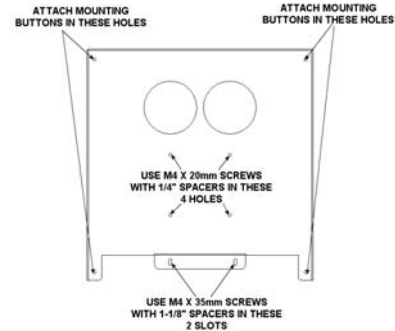


Figure 2

- (1) Plasma Static Mount Bracket
- (4) Mounting Buttons-Black Threaded
- (2) Nylon Spacers .375 OD X .17 ID X 1.125
- (4) Nylon Spacers .625 OD X .33 ID X .25

- (4) M4 X 20mm Philips Head Cap Screws
- (4) 10-24 Button head Cap Screws
- (1) 1/8" Allen Key
- (2) M4 X 35mm Philips Head Cap Screws

BEFORE PROCEEDING, READ INSTALLATION INSTRUCTIONS COMPLETELY

CAUTION! PLASMA DISPLAYS ARE EXTREMELY FRAGILE.

1. Using a 10-24 button head cap screw inserted from back side of bracket, secure mounting button, with chamfered hole of mounting button (larger surface) facing bracket, to bracket outside corners (four places) resulting in a 14" square pattern (see Figure 2, Figure 3, and Figure 4).
2. Place Nylon spacers over mounting holes (see Figure 2, Figure 5 & Figure 6).
3. Using the shorter 1/4" spacers on the four center holes and the longer 1-1/8" spacers on the bottom two slots, place mounting bracket on spacers
4. Attach the bracket using the shorter M4 screws on the center 4 holes and the longer M4 screws on the bottom two slots (see Figure 2, Figure 5 & Figure 6).
5. With the aid of another person, lift Plasma Display up to the Chief Mount, aligning buttons of mounting brackets with slots in the Chief Mount.
6. Lower safety catch on the Chief Mount to secure Plasma Display, making sure catch is completely engaged.

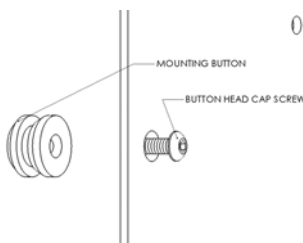


Figure 3



Figure 4

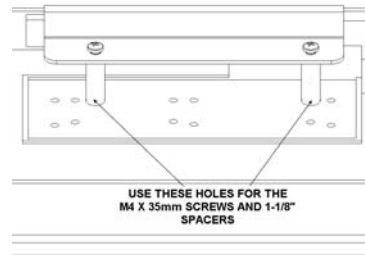


Figure 5

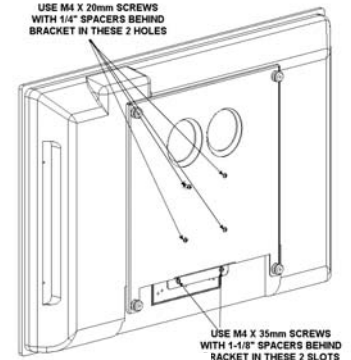


Figure 6