

INSTALLATION INSTRUCTIONS

PSB-2264 DISPLAY MOUNTING BRACKET

Prior to assembly, unpack carton completely and verify contents.

If you are missing any of the following components, please contact Customer Service at 1-800/582-6480

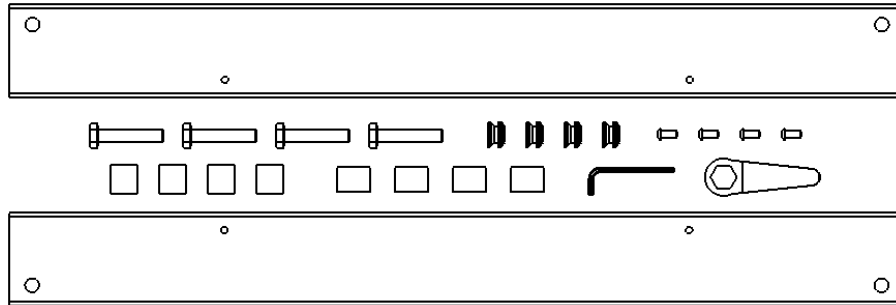


Figure 1

(2) Interface Brackets

(4) 10-24 x .500 Button Head Cap Screws

(4) Nylon Spacer .740" x .390" x 1.00"

(1) 1/8" Allen Key

(4) Mounting Buttons – Tapped

(4) M10 x 50mm Hex Head Cap Screw

(4) Nylon Spacer 22mm x 10.4mm x 20mm

(1) Wrench, Hex 17mm

BEFORE PROCEEDING, READ INSTALLATION INSTRUCTIONS COMPLETELY

CAUTION! DISPLAYS ARE EXTREMELY FRAGILE.

WARNING! ALL COMPONENTS MUST BE SECURELY FASTENED TO A STRUCTURAL MEMBER CAPABLE OF SUPPORTING 4 TIMES THE COMBINED WEIGHT OF ALL COMPONENTS PLUS THE EQUIPMENT BEING MOUNTED. IF IT CANNOT SUPPORT THIS WEIGHT, THE STRUCTURE MUST BE REINFORCED.
THE MAXIMUM WEIGHT TO BE INSTALLED ON THE MOUNT IS 175 POUNDS (79.38 KG).

1. Chief Q-latch Button Installation

Using a 10-24 button head cap screw inserted from back side of bracket, secure mounting button, with chamfered hole of mounting button (larger surface) facing bracket (four places) (see Figure 2 & Figure3).

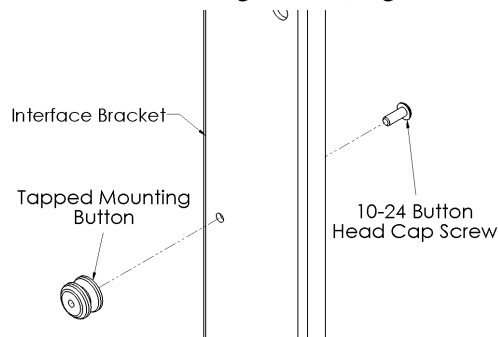


Figure 2

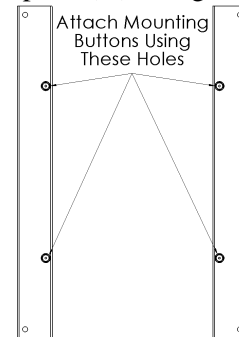


Figure 3

2. **Bracket Installation:** Attach interface to back of the display using the M10 Hex Head Bolts and nylons spacers. Use the set of spacer that provide the best depth for your display. (see Figure 4 & Figure 5). Do not over tighten screws.

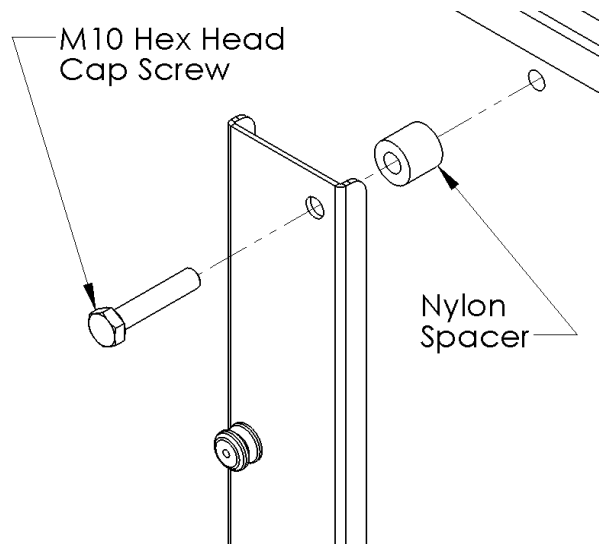


Figure 4

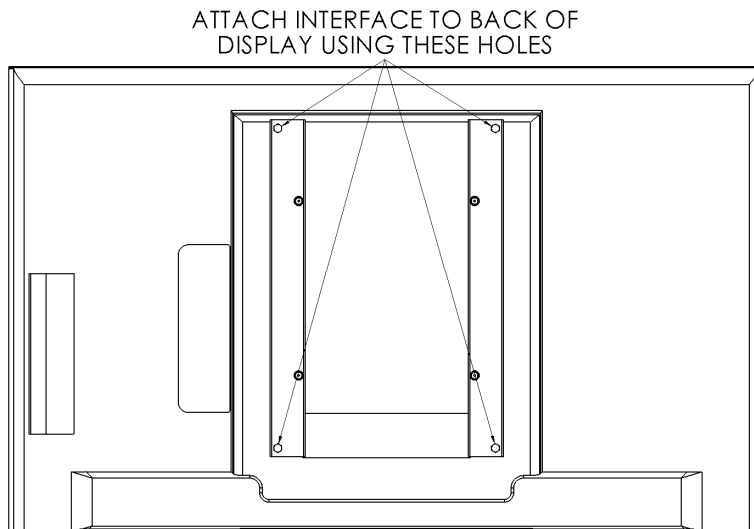


Figure 5

3. Follow the Chief mount instruction manual for screen installation.

