

# INSTALLATION INSTRUCTIONS

## PSB-2265 DISPLAY MOUNTING BRACKET<sup>UL</sup>

Prior to assembly, unpack carton completely and verify contents.

If you are missing any of the following components, please contact Customer Service at 1-800/582-6480

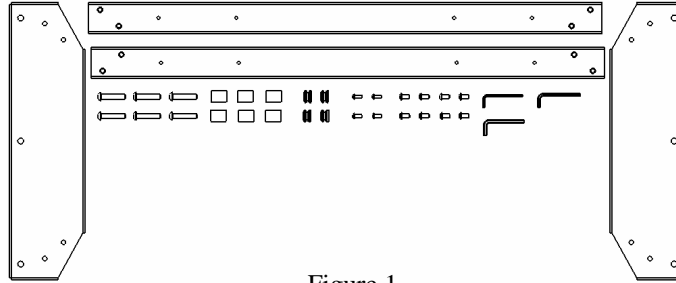


Figure 1

- (2) Plasma Side Bracket
- (4) Mounting Button - Tapped
- (6) M8 x 40mm Button Head Cap Screws
- (8) 1/4-20 x .500" Button Head Cap Screw
- (1) 1/8 Allen Key

- (2) Plasma Top/Bottom Cross Bracket
- (4) 10-24 x .500 Button Head Cap Screw
- (6) .740 x .390 x 1.00 Nylon Spacer
- (1) M5 Allen Key
- (1) 5/32 Allen Key

BEFORE PROCEEDING, READ INSTALLATION INSTRUCTIONS COMPLETELY

**CAUTION!**      **DISPLAYS ARE EXTREMELY FRAGILE.**

**WARNING!**      **ALL COMPONENTS MUST BE SECURELY FASTENED TO A STRUCTURAL MEMBER CAPABLE OF SUPPORTING 4 TIMES THE COMBINED WEIGHT OF ALL COMPONENTS PLUS THE EQUIPMENT BEING MOUNTED. IF IT CANNOT SUPPORT THIS WEIGHT, THE STRUCTURE MUST BE REINFORCED. THE MAXIMUM WEIGHT TO BE INSTALLED ON THE MOUNT IS 175 POUNDS (79.38 KG).**

1. Using a 10-24 button head cap screw inserted from back side of bracket, secure mounting button, with chamfered hole of mounting button (larger surface) facing bracket, to top and bottom brackets (four places) (see Figure 2 & Figure 3).

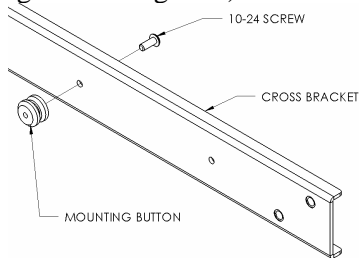


Figure 2



Figure 3

- Using eight 1/4-20 button head cap screws, attach top and bottom to side brackets. For easiest installation do not tighten these screws until after bracket is attached to screen (see Figure 4).

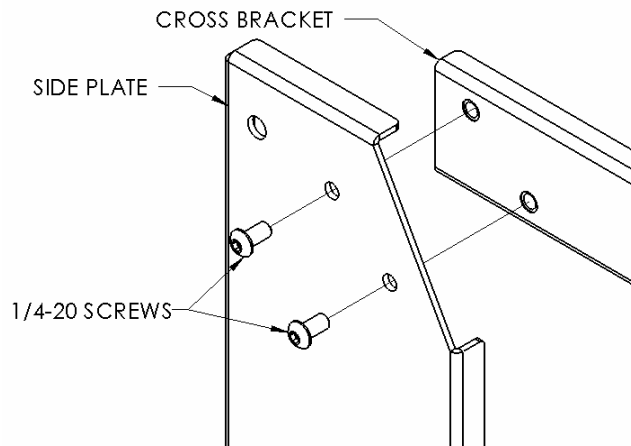


Figure 4

- Place Nylon spacers over mounting holes on back of screen. Attach mounting brackets to display using M8 screws (see Figures 5 & Figure 6).

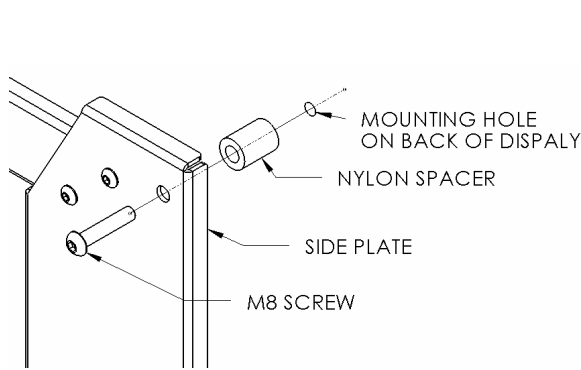


Figure 5

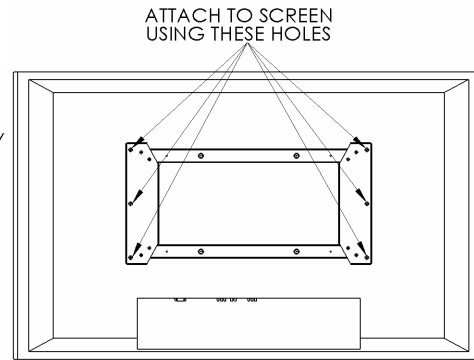


Figure 6

- With the aid of another person, lift your display up to the Chief Mount, aligning buttons of mounting brackets with slots in the Chief Mount.
- Lower safety latch on the Chief Mount to secure your display, making sure latch is completely engaged.