



INSTALLATION INSTRUCTIONS

PSB-2282

PLASMA DISPLAY MOUNTING BRACKET

Prior to assembly, unpack carton completely and verify contents.

If you are missing any of the following components, please contact Customer Service at 1-800/582-6480

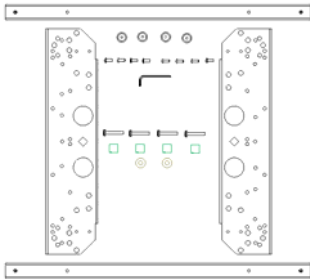


Figure 1

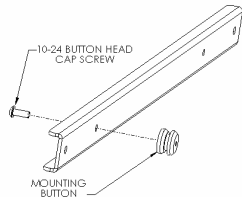


Figure 2

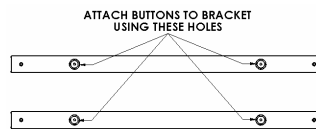


Figure 3

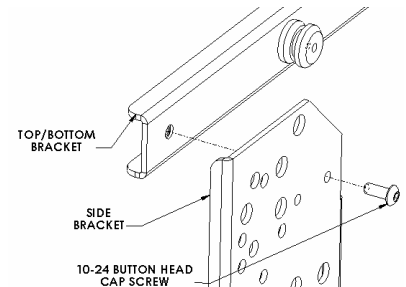


Figure 4

- (2) Plasma Side Bracket
- (4) Mounting Button - Tapped
- (4) M6 x 35mm Phillips Head Cap Screw
- (2) .75 x .323 x .125 Nylon Spacer

- (2) Plasma Top/Bottom Bracket
- (8) 10-24 x .5 Button Head Cap Screw
- (4) .68 x .39 x .625 Nylon Spacer
- (1) 1/8 Allen Key

BEFORE PROCEEDING, READ INSTALLATION INSTRUCTIONS COMPLETELY

CAUTION!

PLASMA DISPLAYS ARE EXTREMELY FRAGILE.

1. Using a 10-24 button head cap screw inserted from back side of bracket, secure mounting button, with chamfered hole of mounting button (larger surface) facing bracket, to top and bottom brackets (four places) (see Figure 2 & Figure 3).
2. Using four 10-24 button head cap screws, attach top and bottom to side brackets (see Figure 4 & Figure 5).
3. Place Nylon spacers over mounting holes on back of screen, making sure to add the .125 thick spacers on upper mounting holes. Attach mounting brackets to display using the M6 screws (see Figure 6 & Figure 7).
4. With the aid of another person, lift your display up to the Chief Mount, aligning buttons of mounting brackets with slots in the Chief Mount.
5. Lower safety latch on the Chief Mount to secure your display, making sure latch is completely engaged.

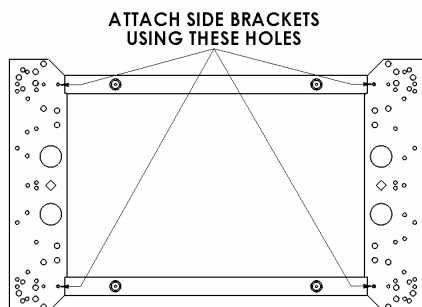


Figure 5

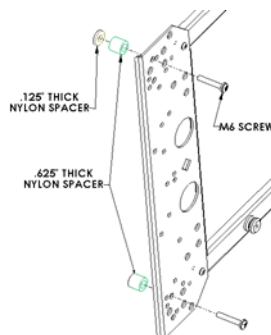


Figure 6

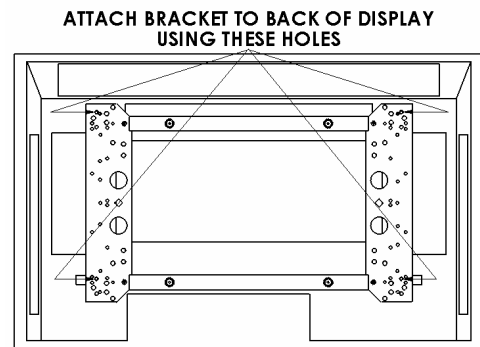


Figure 7