



## INSTALLATION INSTRUCTIONS

# PSB-2290

## PLASMA DISPLAY MOUNTING BRACKET

Prior to assembly, unpack carton completely and verify contents.

If you are missing any of the following components, please contact Customer Service at 1-800/582-6480

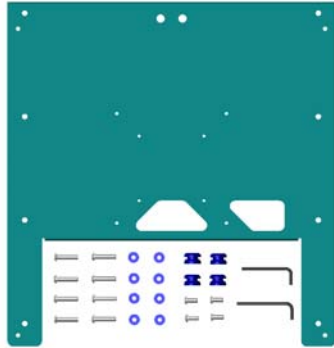


Figure 1

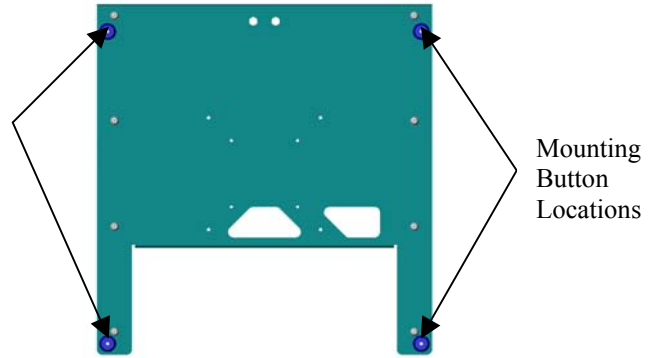


Figure 2

Mounting  
Button  
Locations

- (1) Plasma Bracket
- (4) Mounting Button - Tapped 10-24
- (4) M5- 0.8 x 25mm BHCS
- (1) 3mm Allen Key

- (4) .50" OD X .194" ID x .375" Nylon Spacer
- (4) 10-24 x .5" Button Head Cap Screw
- (1) 1/8" Allen Key

BEFORE PROCEEDING, READ INSTALLATION INSTRUCTIONS COMPLETELY

## CAUTION! PLASMA DISPLAYS ARE EXTREMELY FRAGILE.

1. Using a 10-24 button head cap screw inserted from back side of bracket, secure mounting button in four outer hole locations as shown (four places) (see Figure 2 & Figure 3).
2. Place Nylon spacers on mounting holes and align hole pattern on brackets with pattern on back of Plasma Display (see Figure 4 & Figure 5). Attach bracket using the M5 button head screws.
3. With the aid of another person, lift Plasma Display up to the Chief Mount, aligning buttons of mounting brackets with slots in the Chief Mount.
4. Lower safety catch on the Chief Mount to secure Plasma Display, making sure latch is completely engaged.

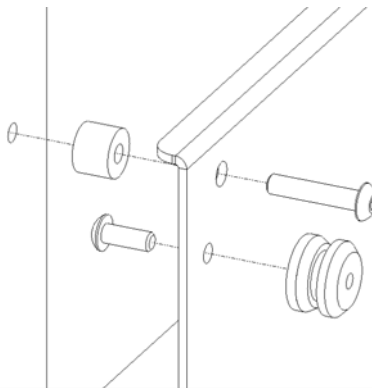


Figure 3

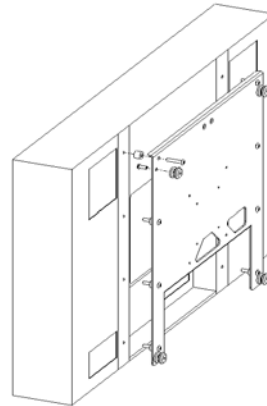


Figure 4