



INSTALLATION INSTRUCTIONS

PSB-2303

PLASMA DISPLAY MOUNTING BRACKET

Prior to assembly, unpack carton completely and verify contents.

If you are missing any of the following components, please contact Customer Service at 1-800/582-6480

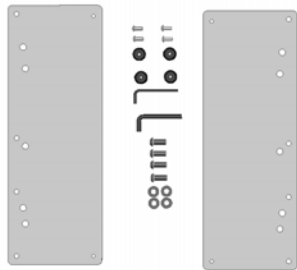


Figure 1

- (1) Plasma Static Bracket-Left
- (4) Mounting Buttons-Black Threaded
- (4) M6 X 30mm Button Head Cap Screw
- (1) M4 Allen Key

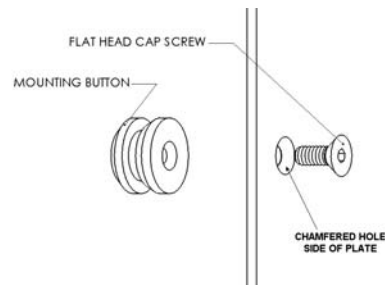


Figure 2

- (1) Plasma Static Bracket-Right
- (4) 10-24 Flat head Cap Screws
- (1) 1/8" Allen Key
- (4) .50 X .316 X .50 Nylon Spacer

BEFORE PROCEEDING, READ INSTALLATION INSTRUCTIONS COMPLETELY

CAUTION! PLASMA DISPLAYS ARE EXTREMELY FRAGILE.

1. Using a 10-24 flat head cap screw inserted from chamfered hole side of bracket, secure mounting button (Allen key enclosed), with chamfered hole of mounting button (larger surface) facing bracket, to bracket (four places) (see Figure 2 & Figure 3).
2. Place Nylon spacers on mounting holes, aligning hole pattern of the brackets with the pattern on the back of the display (see Figure 4 & Figure 5).
3. Attach brackets using the M6 button head cap screws and Nylon spacers.
4. With the aid of another person, lift the display up to the Chief Mount, aligning buttons of mounting brackets with teardrop slots in the Chief Mount.
5. Raise safety latch on the Chief Mount to secure display, making sure latch is completely engaged.

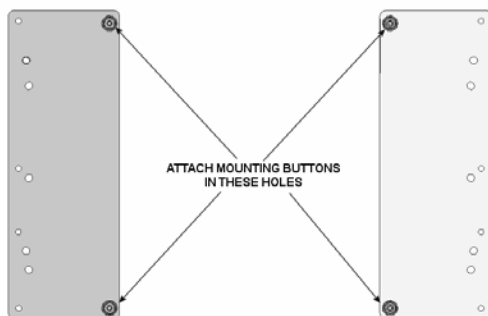


Figure 3

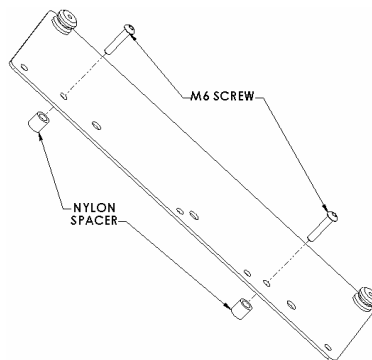


Figure 4

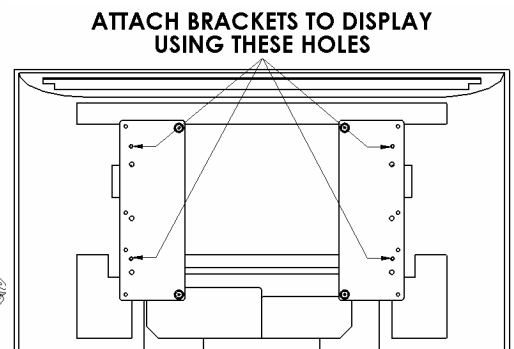


Figure 5