

INSTALLATION INSTRUCTIONS

PSB-2305

PLASMA DISPLAY MOUNTING BRACKET

Prior to assembly, unpack carton completely and verify contents.

If you are missing any of the following components, please contact Customer Service at 1-800/582-6480

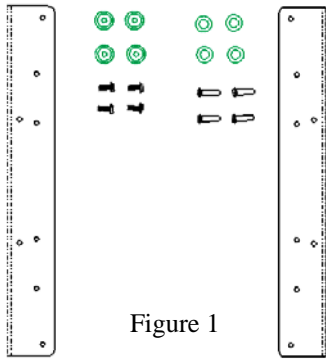


Figure 1

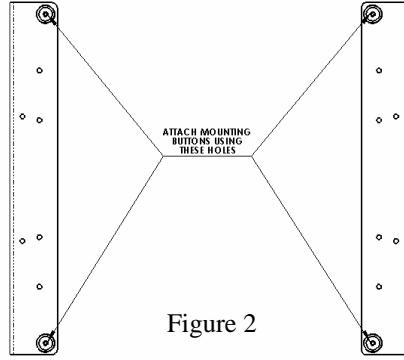


Figure 2

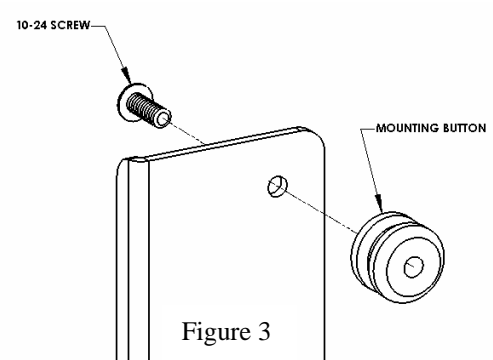


Figure 3

- (2) LCD Static Mount Bracket
- (4) 10-24 X 1/2" Button Head Cap Screws Cap
- (1) 1/8" Allen Key

- (4) Mounting Buttons
- (4) M4 X 20mm Philips Pan Head Screws
- (4) Spacers, .33 x .88 x .38

BEFORE PROCEEDING, READ INSTALLATION INSTRUCTIONS COMPLETELY

CAUTION!

PLASMA DISPLAYS ARE EXTREMELY FRAGILE.

WARNING!

ALL COMPONENTS MUST BE SECURELY FASTENED TO A STRUCTURAL MEMBER CAPABLE OF SUPPORTING 4 TIMES THE COMBINED WEIGHT OF ALL COMPONENTS PLUS THE EQUIPMENT BEING MOUNTED. IF IT CANNOT SUPPORT THIS WEIGHT, THE STRUCTURE MUST BE REINFORCED.

THE MAXIMUM WEIGHT TO BE INSTALLED ON THE MOUNT IS 175 POUNDS (79.38 KG).

1. Using a 10-24 Button Head Cap Screw secure mounting button, with chamfered hole of mounting button (larger surface) facing bracket, to bracket (4 places) (see Figure 2 and 3).



CHIEF MANUFACTURING INC.
1-800-582-6480 952-894-6280 FAX 952-894-6918
8401 EAGLE CREEK PKWY, STE. 700
SAVAGE, MINNESOTA 55378 USA

8804-000192 RevB
2004 Chief Manufacturing
www.chiefmfg.com
10/04

2. Attach the mounting brackets to the display using the (4) M4 screws and spacers (see Figure 4 and 5)
3. With the aid of another person, lift your display up to the Chief Mount, aligning buttons of mounting brackets with slots in the Chief Mount.
4. Lower safety catch on the Chief Mount to secure your display, making sure catch is completely engaged.

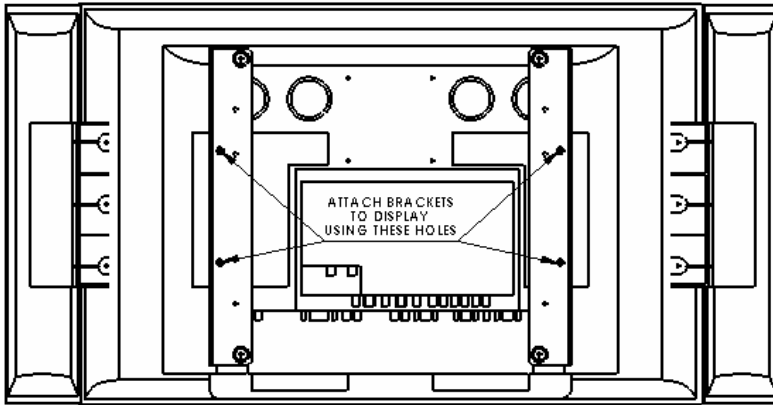


Figure 4

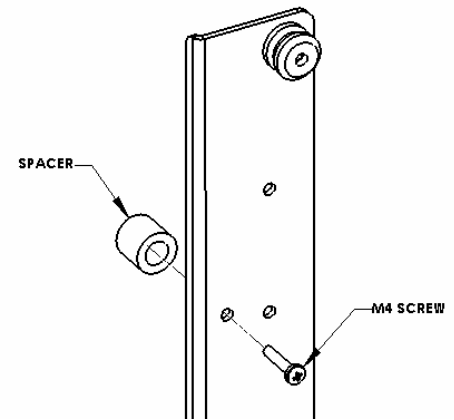


Figure 5