

INSTALLATION INSTRUCTIONS

PSB-2307

DISPLAY MOUNTING BRACKET

Prior to assembly, unpack carton completely and verify contents.

If you are missing any of the following components, please contact Customer Service at 1-800/582-6480

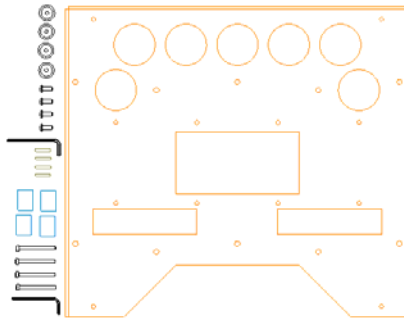


Figure 1

(1) LCD Interface Bracket

(4) 10-24 x .5" Button Head Cap Screws

(4) .75 x .505 x .125 Thin Nylon Spacer

(4) Mounting Buttons-Tapped 10-24

(4) M4 x 45mm Socket Head Cap Screws

(4) .74 x .39 x 1.0 Thick Nylon Spacer

(1) 1/8" Allen Key

(4) #10 Flat Washer

(1) M3 Allen Key

BEFORE PROCEEDING, READ INSTALLATION INSTRUCTIONS COMPLETELY

CAUTION! DISPLAYS ARE EXTREMELY FRAGILE.

ALL COMPONENTS MUST BE SECURELY FASTENED TO A STRUCTURAL MEMBER CAPABLE OF SUPPORTING 4 TIMES THE COMBINED WEIGHT OF ALL COMPONENTS PLUS THE EQUIPMENT BEING MOUNTED. IF IT CANNOT SUPPORT THIS WEIGHT, THE STRUCTURE MUST BE REINFORCED.

WARNING! THE MAXIMUM WEIGHT TO BE INSTALLED ON THE MOUNT IS 175 POUNDS (79.38 KG).

1. Using a 10-24 button head cap screw inserted from back side of bracket, secure mounting button, with chamfered hole of mounting button (larger surface) facing bracket, to bracket (four places) (see Figure 2 & Figure 3).

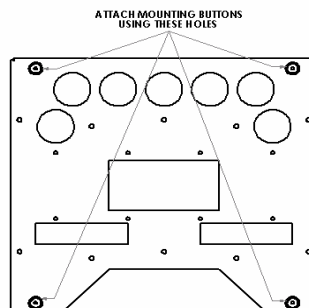


Figure 2

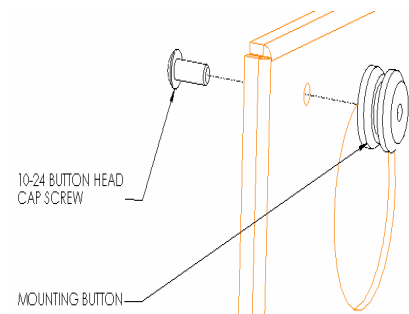


Figure 3



CHIEF MANUFACTURING INC.
1-800-582-6480 952-894-6280 FAX 952-894-6918
8401 EAGLE CREEK PKWY, STE. 700
SAVAGE, MINNESOTA 55378 USA

8804-000193 RevB
2004 Chief Manufacturing
www.chiefmfg.com
11/04

2. Stack thin and thick Nylon spacers on mounting holes, aligning hole pattern on brackets with pattern on back of the display (see Figure 4 & Figure 5).
3. Using flat washers and M4 screws, secure brackets to the display. Do not over tighten screws.
4. With the aid of another person, lift the display up to the Chief Mount, aligning buttons of mounting brackets with slots in the Chief Mount.
5. Lower safety latch on the Chief Mount to secure the display, making sure latch is completely engaged.

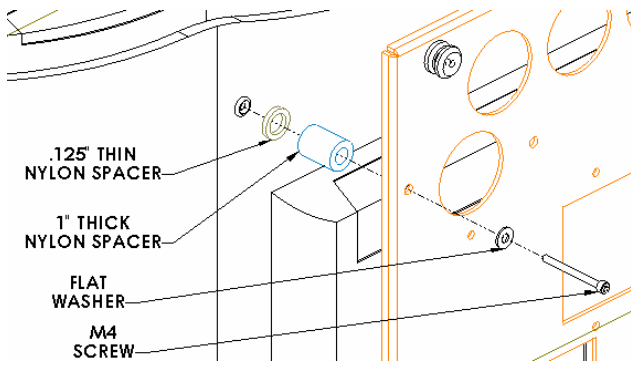


Figure 4

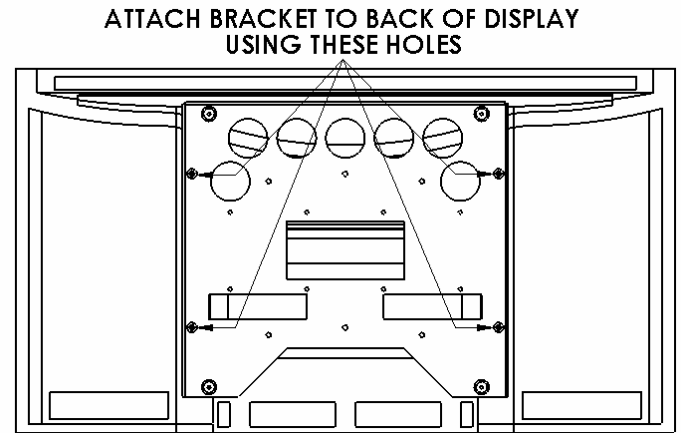


Figure 5