



INSTALLATION INSTRUCTIONS

PSB-2312

PLASMA DISPLAY MOUNTING BRACKET

Prior to assembly, unpack carton completely and verify contents.

If you are missing any of the following components, please contact Customer Service at 1-800/582-6480

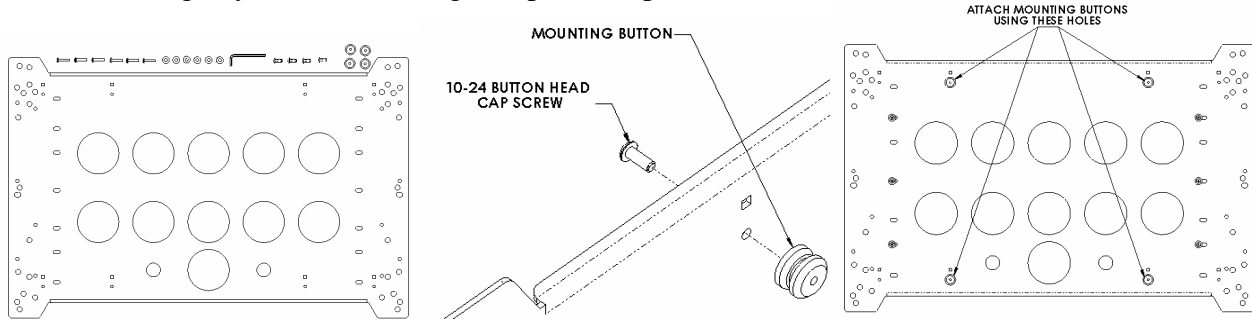


Figure 1

Figure 2

Figure 3

- (1) Plasma Interface Bracket
- (4) 10-24 Button Head Cap Screws
- (6) .500 x .194 x .375 Nylon Spacer
- (1) 1/8" Allen Key

- (4) Mounting Buttons-10-24 Tapped
- (6) M4 x 20 mm Phillips Head Cap Screws
- (6) #10 Flat Washers

BEFORE PROCEEDING, READ INSTALLATION INSTRUCTIONS COMPLETELY

CAUTION!

PLASMA DISPLAYS ARE EXTREMELY FRAGILE.

1. Using a 10-24 button head cap screw inserted from back side of bracket, secure mounting button, with chamfered hole of mounting button (larger surface) facing bracket, to bracket (four places) (see Figure 2 & Figure 3).
2. Place Nylon spacers over mounting holes on back of screen. Attach mounting brackets to the display using the M6 screws and #10 flat washers (see Figure 4 & Figure 5).
3. With the aid of another person, lift your display up to the Chief Mount, aligning buttons of mounting brackets with slots in the Chief Mount.
4. Lower safety catch on the Chief Mount to secure your display, making sure catch is completely engaged.

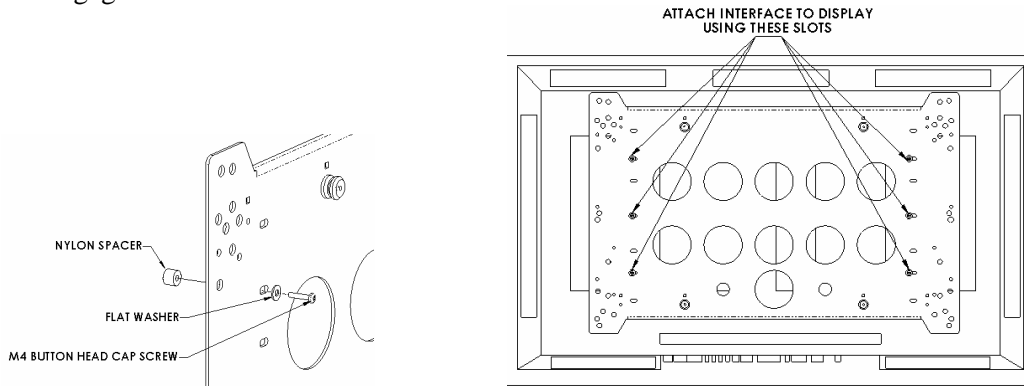


Figure 4

Figure 5