



INSTALLATION INSTRUCTIONS

PSB-2321

PLASMA DISPLAY MOUNTING BRACKET

Prior to assembly, unpack carton completely and verify contents.

If you are missing any of the following components, please contact Customer Service at 1-800/582-6480

**ATTACH MOUNTING BUTTONS
USING THESE HOLES**

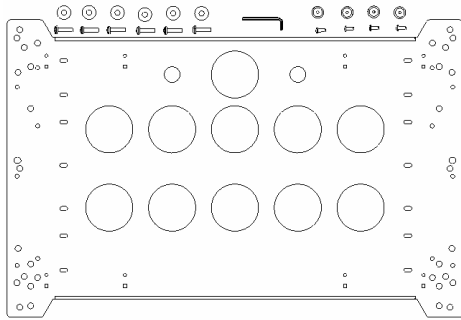


Figure 1

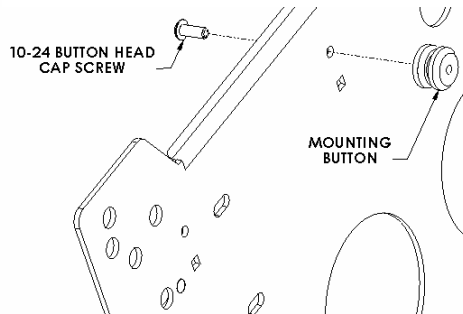


Figure 2

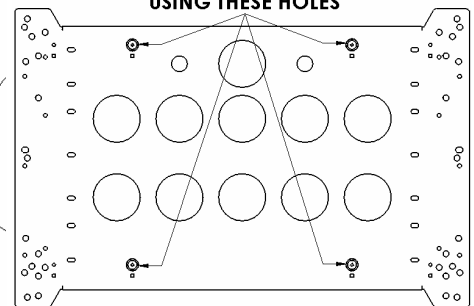


Figure 3

- (1) Plasma Interface Bracket
- (4) 10-24 Button Head Cap Screws
- (6) .875 x .33 x .375 Nylon Spacer
- (6) .74 x .39 x 1.0 Nylon Spacer

- (4) Mounting Buttons-10-24 Tapped
- (6) M6 x 25 mm Phillips Head Cap Screw
- (6) M6 x 50mm Phillips Head Cap Screw
- (1) 1/8" Allen Key

BEFORE PROCEEDING, READ INSTALLATION INSTRUCTIONS COMPLETELY

CAUTION!

PLASMA DISPLAYS ARE EXTREMELY FRAGILE.

1. Using a 10-24 button head cap screw inserted from back side of bracket, secure mounting button, with chamfered hole of mounting button (larger surface) facing bracket, to bracket (four places) (see Figure 2 & Figure 3).
2. Place .375" Nylon spacers over mounting holes on back of screen. Attach mounting brackets to the display using the shorter M6 screws (see Figure 4 & Figure 5). If a media box or tuner is attached to back of screen, stack both .375" and 1.0" spacers and use longer M6 screws
3. With the aid of another person, lift your display up to the Chief Mount, aligning buttons of mounting brackets with slots in the Chief Mount.
4. Lower safety catch on the Chief Mount to secure your display, making sure catch is completely engaged.

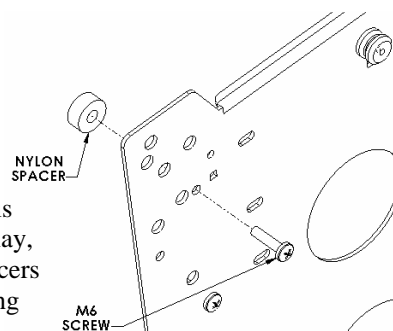


Figure 4

If media box or tuner is attached to back of display, stack short and long spacers and attach bracket using longer screws.

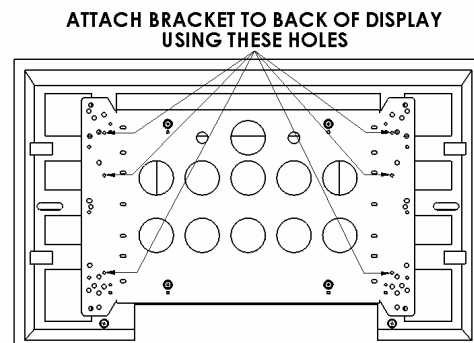


Figure 5