

INSTALLATION INSTRUCTIONS

PSB-2322

LCD DISPLAY MOUNTING BRACKET

Prior to assembly, unpack carton completely and verify contents.

If you are missing any of the following components, please contact Customer Service at 1-800/582-6480

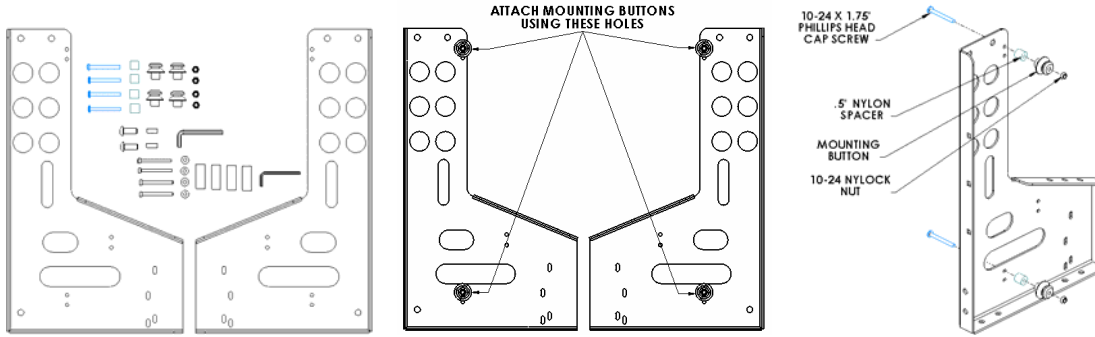


Figure 1

Figure 2

Figure 3

- (1) LCD Interface Bracket - Left
- (4) 10-24 x 1.75 Phillips Head Cap Screw
- (4) Mounting Buttons – Black Nylon
- (2) M8 x 20mm Button Head Cap Screw
- (4) M4 x 45mm Socket Head Cap Screw
- (4) #8 Flat Washer
- (1) M3 Allen Key

- (1) LCD Interface Bracket - Right
- (4) 10-24 Nylock Nut
- (4) .5 x .194 x .5 Nylon Spacer
- (2) .625 x .328 x .25 Nylon Spacer
- (4) .5 x .252 x 1.375 Nylon Spacer
- (1) M5 Allen Key

BEFORE PROCEEDING, READ INSTALLATION INSTRUCTIONS COMPLETELY

CAUTION! LCD DISPLAYS ARE EXTREMELY FRAGILE.

1. Using a 10-24 Phillips head cap screw inserted from back side of the bracket, .5" Nylon Spacer and Nylock nut, secure mounting button, to bracket (four places) (see Figure 2 & Figure 3).
2. If installing Media Box to back of display, attach at this point as well as connect Source cable from box to screen. It would also be advantageous to attach power cord to back of display at this time.
3. Using screws and nylon spacers, secure brackets to display. Make sure to use the #8 flat washers on lower holes (See Figure 4 & Figure 5). Route speaker wires through holes on sides of each bracket.
4. With the aid of another person, lift the display up to the Chief Mount, aligning buttons of mounting brackets with slots in the Chief Mount.
5. Lower safety latch on the Chief Mount to secure the display, making sure the latch is completely engaged.

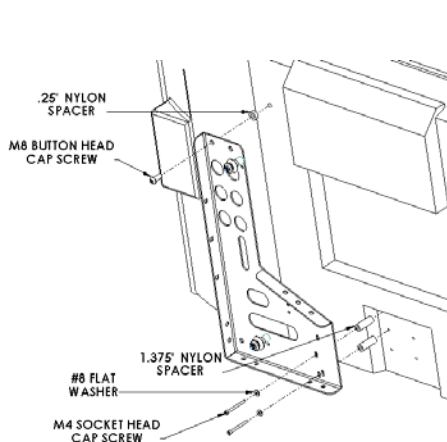


Figure 4

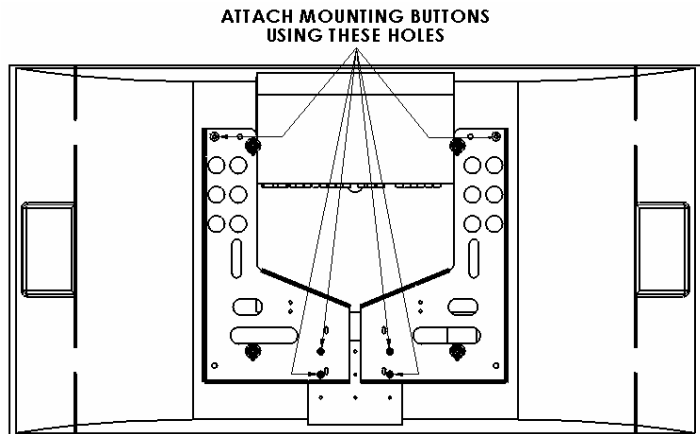


Figure 5