

INSTALLATION INSTRUCTIONS

PSB-2323 LCD DISPLAY MOUNTING BRACKET

Prior to assembly, unpack carton completely and verify contents.

If you are missing any of the following components, please contact Customer Service at 1-800/582-6480

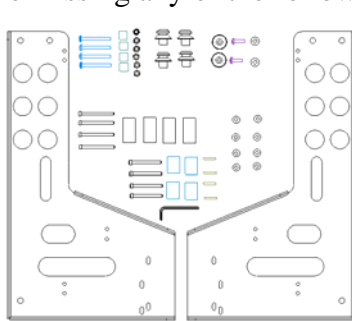


Figure 1

- (1) LCD Interface Bracket - Left
- (4) 10-24 x 1.75 Phillips Head Cap Screw
- (6) 10-24 Nylock Nut
- (2) Recessed Rubber Bumper
- (2) #10 Flat Washer
- (4) .75 x .385 x 1.5 Black Nylon Spacer
- (4) .74 x .39 x 1.0 White Nylon Spacer
- (8) #8 Flat Washer

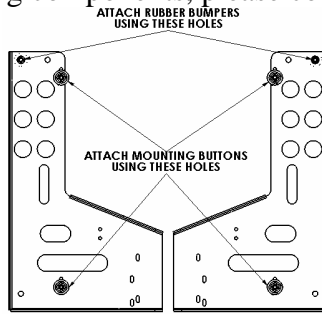


Figure 2

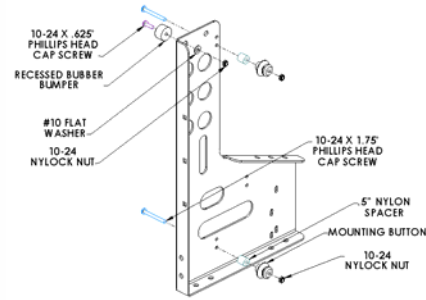


Figure 3

- (1) LCD Interface Bracket - Right
- (4) .5 x .194 x .5 White Nylon Spacer
- (4) Mounting Button - Black Nylon
- (2) 10-24 x .625 Phillips Head Cap Screw
- (4) M4 x 50mm Socket Head Cap Screw
- (4) M4 x 45mm Socket Head Cap Screw
- (4) .75 x .323 x .125 White Nylon Spacer
- (1) M3 Allen Key

BEFORE PROCEEDING, READ INSTALLATION INSTRUCTIONS COMPLETELY

CAUTION! LCD DISPLAYS ARE EXTREMELY FRAGILE.

1. Using a 10-24 Phillips head cap screw inserted from back side of bracket, .5" thick Nylon Spacers and Nylock nut, secure mounting button, to bracket (four places) (see Figure 2 & Figure 3).
2. Using a 10-24 x .625" Phillips head cap screw, #10 flat washer and Nylock nut, attached recessed rubber bumpers to top outside holes of each bracket (see Figure 2 & Figure 3).
3. If installing Media Box to back of display, attach at this point as well as connect Source cable from box to screen. It would also be advantageous to attach power cord to back of display at this time.
4. Using #8 flat washers, M4 screws and Nylon Spacers, secure brackets to display. Make sure to use the 50mm screws for the upper holes and the 45mm screws for the lower holes (See Figure 4 & Figure 5). Route speaker wires through holes on sides of each bracket.
5. With the aid of another person, lift the display up to the Chief Mount, aligning buttons of mounting brackets with slots in the Chief Mount.
6. Lower safety latch on the Chief Mount to secure the display, making sure latch is completely engaged.

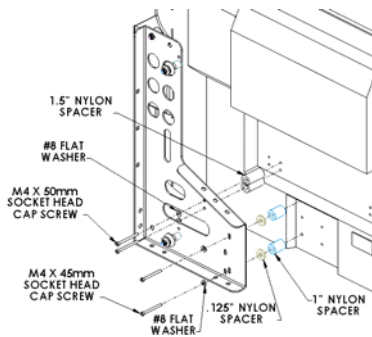


Figure 4

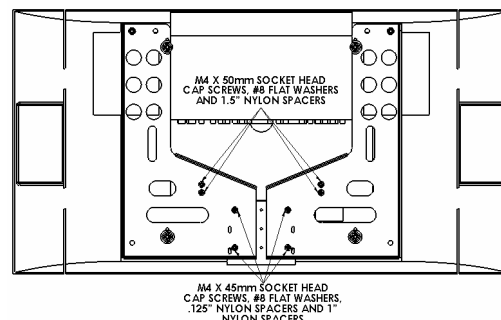


Figure 5