

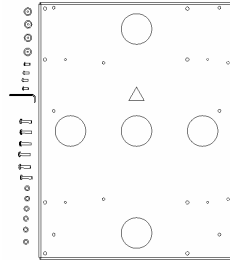
# INSTALLATION INSTRUCTIONS

## PSB-2391

### PLASMA DISPLAY MOUNTING BRACKET

Prior to assembly, unpack carton completely and verify contents.

If you are missing any of the following components, please contact Customer Service at 1-800/582-6480



- (1) Plasma Interface Bracket
- (4) 5/16-18 x 1" Hex Head Cap Screw
- (4) M5 x 25 mm Button Head Cap Screw
- (1) M3 Allen Key

Figure 1

- (4) Mounting Buttons-.316" Through Hole
- (4) 5/16-18 Nylock Nut
- (4) .500 x .194 x .500 Nylon Spacer

BEFORE PROCEEDING, READ INSTALLATION INSTRUCTIONS COMPLETELY

## CAUTION!

**PLASMA DISPLAYS ARE EXTREMELY FRAGILE.**

## WARNING!

**ALL COMPONENTS MUST BE SECURELY FASTENED TO A STRUCTURAL MEMBER CAPABLE OF SUPPORTING 4 TIMES THE COMBINED WEIGHT OF ALL COMPONENTS PLUS THE EQUIPMENT BEING MOUNTED. IF IT CANNOT SUPPORT THIS WEIGHT, THE STRUCTURE MUST BE REINFORCED.**

**THE MAXIMUM WEIGHT TO BE INSTALLED ON THE MOUNT IS 175 POUNDS (79.38 KG).**

1. Using a 5/16-18 hex head cap screw and Nylock nut, secure mounting button, with chamfered hole of mounting button (larger surface) facing bracket, to bracket (four places) (see Figure 2 & Figure 3). If using the PSH or PPH heavy-duty mounts, use the 24" x 14" spud pattern.

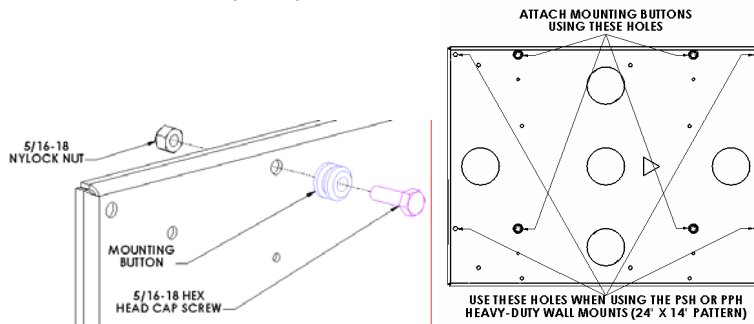


Figure 2



**CHIEF MANUFACTURING INC.**  
1-800-582-6480 952-894-6280 FAX 952-894-6918  
8401 EAGLE CREEK PKWY, STE. 700  
SAVAGE, MINNESOTA 55378 USA

8804-000191 RevD  
2004 Chief Manufacturing  
[www.chiefmfg.com](http://www.chiefmfg.com)  
10/04

2. Place Nylon spacers over mounting holes on back of display. Attach mounting brackets to the display using the M5 button head cap screws (see Figure 4 & Figure 5).
3. With the aid of another person, lift your display up to the Chief Mount, aligning buttons of mounting brackets with slots in the Chief Mount.
4. Lower safety latch on the Chief Mount to secure your display, making sure latch is completely engaged.

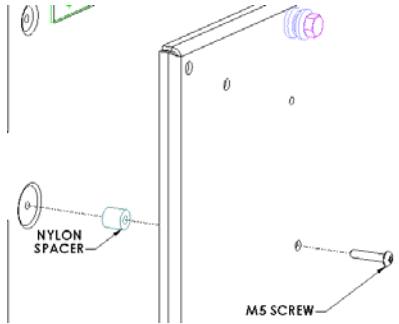


Figure 4

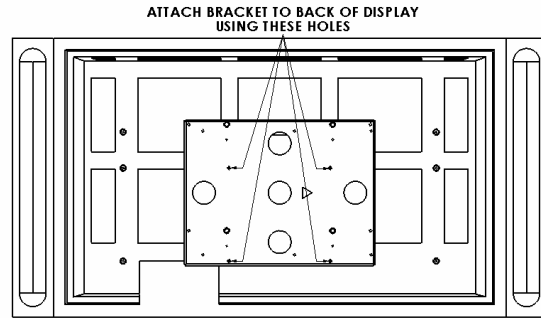


Figure 5