

INSTALLATION INSTRUCTIONS

PSB-2397 DISPLAY MOUNTING BRACKET^{UL}

Prior to assembly, unpack carton completely and verify contents.

If you are missing any of the following components, please contact Customer Service at 1-800/582-6480

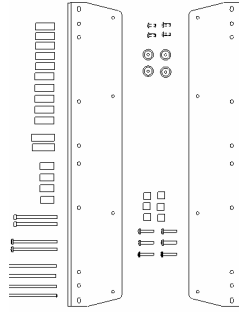


Figure 1

- | | |
|---------------------------------------|---------------------------------------|
| (2) Plasma Side Bracket | (4) Mounting Button - Tapped |
| (4) 10-24 x 1/2 Button Head Cap Screw | (6) .5 x .316 x .5 Nylon Spacer |
| (6) M5 x 25mm Phillips Head Cap Screw | (10) .50 x .252 x 1.375 Nylon Spacer |
| (2) .50 x .26 x 1.625 Nylon Spacer | (4) .5 x .219 x 1.0 Nylon Spacer |
| (4) M5 x 90mm Socket Head Cap Screw | (2) M5 x 80mm Phillips Head Cap Screw |
| (2) M5 x 75mm Socket Head Cap Screw | (1) 1/8 Allen Key |
| (1) M4 Allen Key | |

BEFORE PROCEEDING, READ INSTALLATION INSTRUCTIONS COMPLETELY

CAUTION! **DISPLAYS ARE EXTREMELY FRAGILE.**

WARNING! **ALL COMPONENTS MUST BE SECURELY FASTENED TO A STRUCTURAL MEMBER CAPABLE OF SUPPORTING 4 TIMES THE COMBINED WEIGHT OF ALL COMPONENTS PLUS THE EQUIPMENT BEING MOUNTED. IF IT CANNOT SUPPORT THIS WEIGHT, THE STRUCTURE MUST BE REINFORCED.**
THE MAXIMUM WEIGHT TO BE INSTALLED ON THE BRACKET IS 175 POUNDS (79.38 KG).

1. Using a 10-24 button head cap screw inserted from back side of bracket, secure mounting button with chamfered hole of mounting button (larger surface) facing bracket, to side brackets (four places) (See Figure 2 & Figure 3).

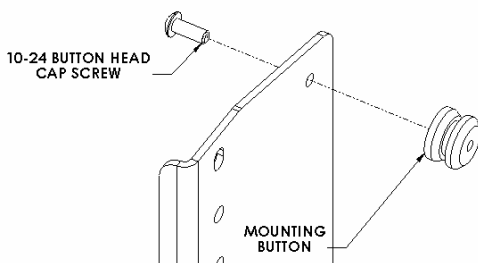


Figure 2

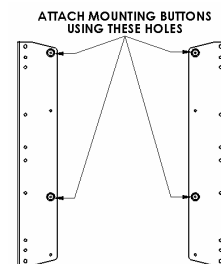


Figure 3

- Remove screws securing table stand to display and remove table stand from display (see Figure 4 and Figure 5).

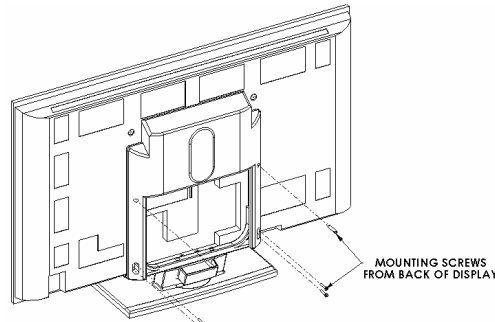


Figure 4

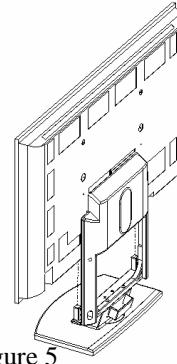


Figure 5

NOTE: If installing display on Chief Mount without subwoofer, proceed to step # 6 (Page 3). CAUTION! The Chief PDS, PDR, PNR and PLP mounts require the display to be installed without the subwoofer.

- Remove four socket head screws, using M4 Allen key supplied, and subwoofer from table stand.
- Secure subwoofer to back of display by sliding uprights into holes in display (see Figure 6 & Figure 7).

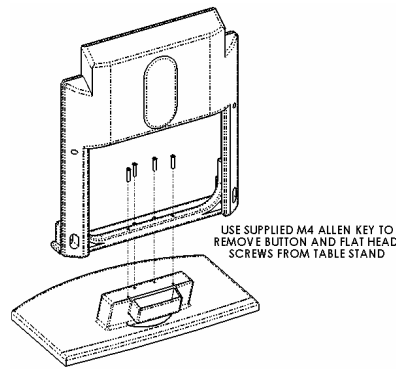


Figure 6

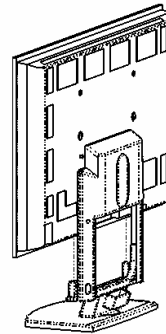


Figure 7

- Attach side bracket to back of display by stacking spacers and using M5 screws (see Figure 8 & Figure 9). Make sure to use the four M5 x 90mm screws in lower holes, two M5 x 80mm screws in middle holes and two M5 x 75mm screws in upper holes. **Proceed to step 8 (page 3).**

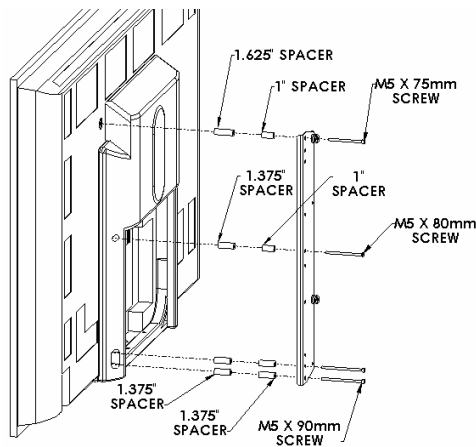


Figure 8

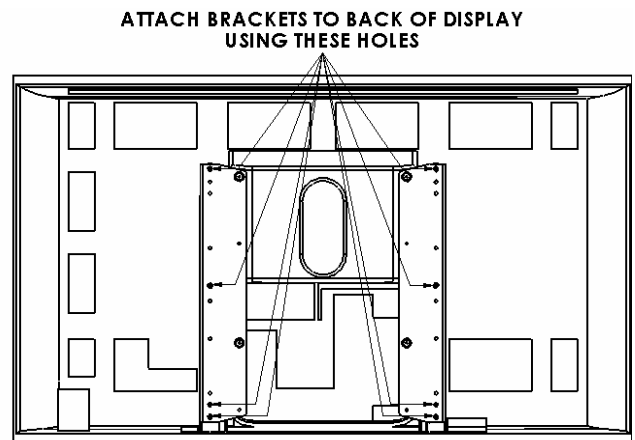


Figure 9

INSTALLATIONS WITHOUT SUBWOOFER

6. Place .5" nylon spacers on mounting holes, aligning hole pattern on brackets with pattern on back of the display (see Figure 10 & Figure 11).
7. Using M5 X 25mm screws, secure the brackets to the display. Do not over tighten screws.

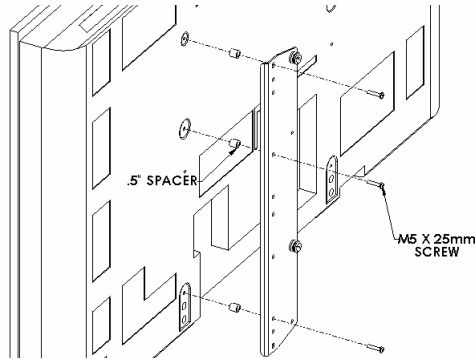


Figure 10

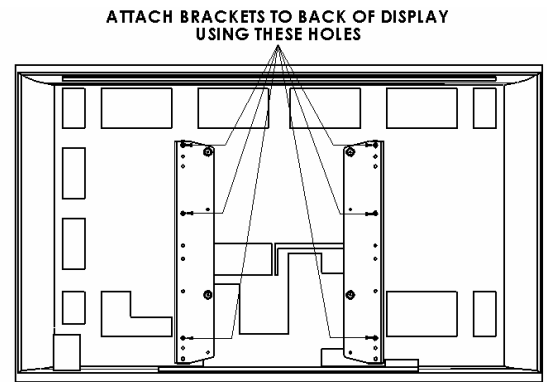


Figure 11

FOR ALL INSTALLATIONS

8. With the aid of another person, lift the display up to the Chief Mount, aligning buttons of mounting brackets with slots in the Chief Mount.
9. Lower safety latch on the Chief Mount to secure the display, making sure latch is completely engaged.