

# INSTALLATION INSTRUCTIONS

## PSB-2409 DISPLAY MOUNTING BRACKET

Prior to assembly, unpack carton completely and verify contents.  
If you are missing any of the following components, please contact Customer Service at 1-800/582-6480

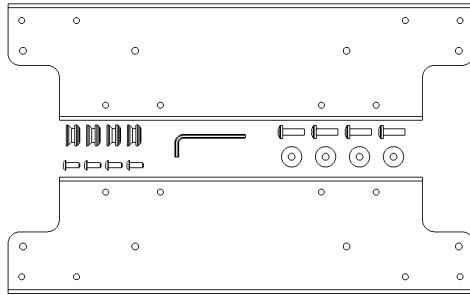


Figure 1

- |   |                                   |
|---|-----------------------------------|
| (2) Interface Side Brackets             | (4) Mounting Buttons – Tapped     |
| (4) 10-24 x .500 Button Head Cap Screws | (4) .74 x .25 x .25 Nylon Spacers |
| (4) M6 x 20mm Phillips Head Screws      | (1) 1/8" Allen Key                |

BEFORE PROCEEDING, READ INSTALLATION INSTRUCTIONS COMPLETELY

**CAUTION!**      **DISPLAYS ARE EXTREMELY FRAGILE.**

**WARNING!**      **ALL COMPONENTS MUST BE SECURELY FASTENED TO A STRUCTURAL MEMBER CAPABLE OF SUPPORTING 4 TIMES THE COMBINED WEIGHT OF ALL COMPONENTS PLUS THE EQUIPMENT BEING MOUNTED. IF IT CANNOT SUPPORT THIS WEIGHT, THE STRUCTURE MUST BE REINFORCED. THE MAXIMUM WEIGHT TO BE INSTALLED ON THE INTERFACE IS 150 POUNDS (68.04 KG).**

### 1. Chief Q-latch Button Installation

Using a 10-24 button head cap screw inserted from back side of bracket, secure mounting button, with chamfered hole of mounting button (larger surface) facing bracket, to center brackets (four places) (see Figure 2 & Figure3).

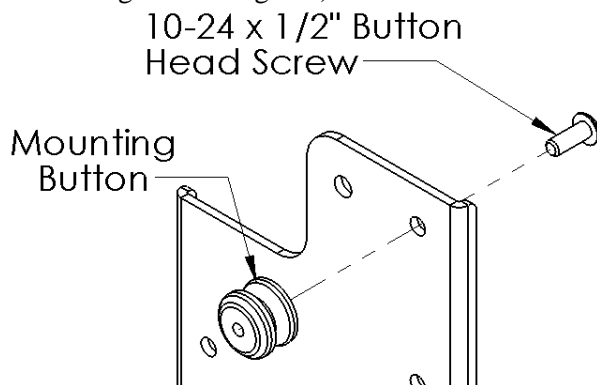


Figure 2

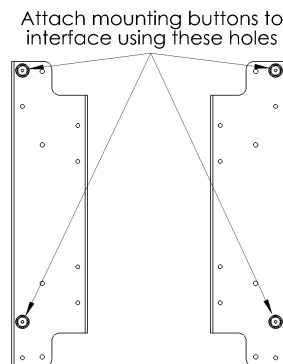


Figure 3

2. **Bracket Installation:** Place nylon spacers over mounting holes of screen and attach brackets to back of display using the M6 screws (see Figure 4 & Figure 5). Do not over tighten screws.

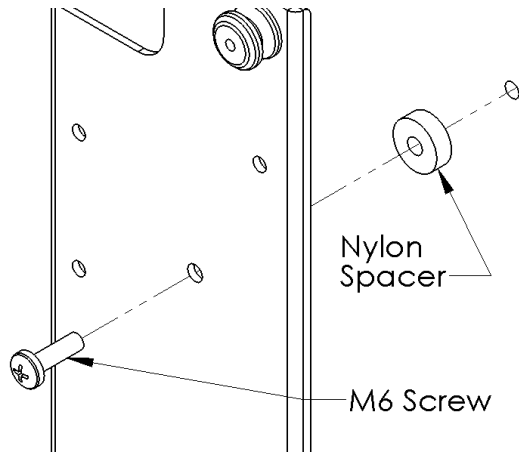


Figure 4

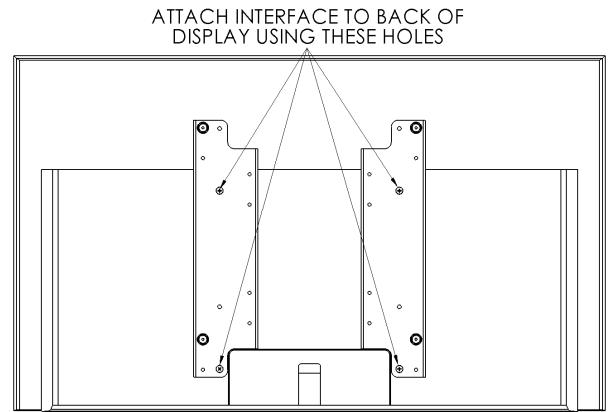


Figure 5

3. Follow the Chief mount instruction manual for screen installation.