

INSTALLATION INSTRUCTIONS

PSB-2425

FLAT PANEL DISPLAY MOUNTING BRACKET

Prior to assembly, unpack carton completely and verify contents.

If you are missing any of the following components, please contact Customer Service at 1-800/582-6480

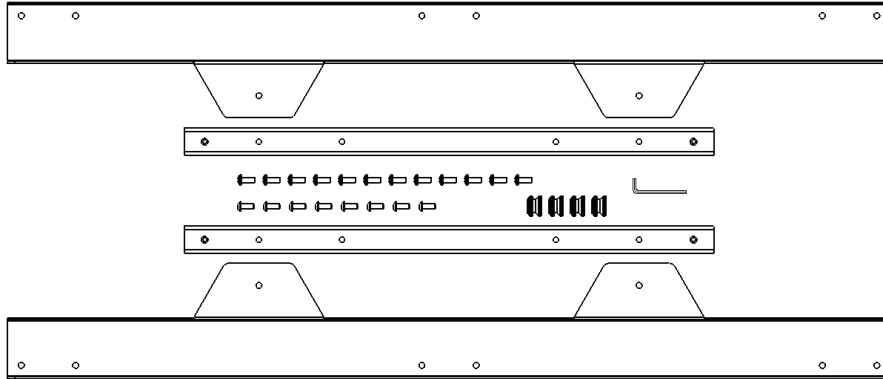


Figure 1

- | | |
|--------------------------------------|--------------------------------------|
| (2) Cross Bracket | (4) Mounting Button – Tapped |
| (8) 10-24 x .5 Button Head Cap Screw | (12) 10-32 x .5 Phillips Head Screws |
| (2) Horizontal Attachment Bracket | (1) 1/8 Allen Key |

BEFORE PROCEEDING, READ INSTALLATION INSTRUCTIONS COMPLETELY

CAUTION! **DISPLAYS ARE EXTREMELY FRAGILE.**

WARNING! **ALL COMPONENTS MUST BE SECURELY FASTENED TO A STRUCTURAL MEMBER CAPABLE OF SUPPORTING 4 TIMES THE COMBINED WEIGHT OF ALL COMPONENTS PLUS THE EQUIPMENT BEING MOUNTED. IF IT CANNOT SUPPORT THIS WEIGHT, THE STRUCTURE MUST BE REINFORCED.**
THE MAXIMUM WEIGHT TO BE INSTALLED ON THE MOUNT IS 200 POUNDS (90.78 KG).

1. Using a 10-24 button head cap screw inserted from back side of bracket, secure mounting button, with chamfered hole of mounting button (larger surface) facing bracket, to the cross brackets (four places) (see Figure 2).

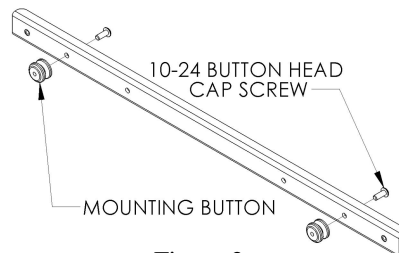


Figure 2



CHIEF MANUFACTURING INC.
1-800-582-6480 952-894-6280 FAX 952-894-6918
8401 EAGLE CREEK PKWY, STE. 700
SAVAGE, MINNESOTA 55378 USA

8804-000358 Rev01
2008 Chief Manufacturing
www.chiefmfg.com
03/08

2. Attach cross brackets to horizontal attachment brackets using the 10-24 button head screws. (see Figure 3)
3. Using the 10-32 Phillips head screws attach the bracket to the back of the panel. (see Figure 4)
4. With the aid of another person, lift your display up to the Chief Mount, aligning buttons of mounting brackets with slots in the Chief Mount
5. Lower safety latch on the Chief Mount to secure your display, making sure latch is completely engaged.

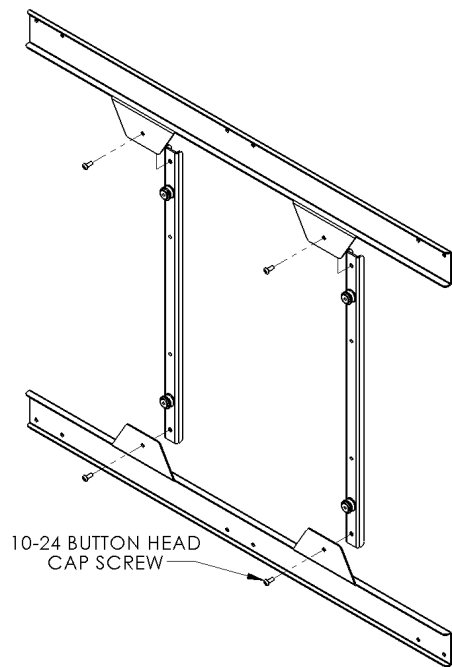


Figure 3

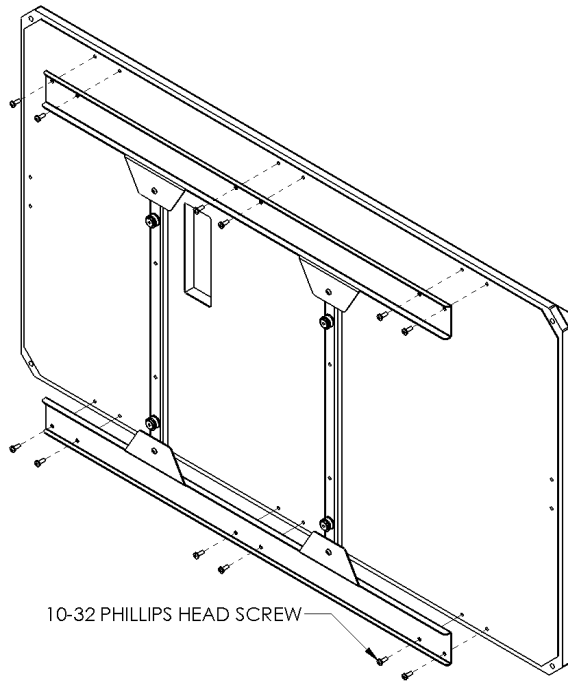


Figure 4