

---

# INSTALLATION INSTRUCTIONS

---

## PSB-2442

### FLAT PANEL DISPLAY MOUNTING BRACKET

Prior to assembly, unpack carton completely and verify contents.

If you are missing any of the following components, please contact Customer Service at 1-800/582-6480

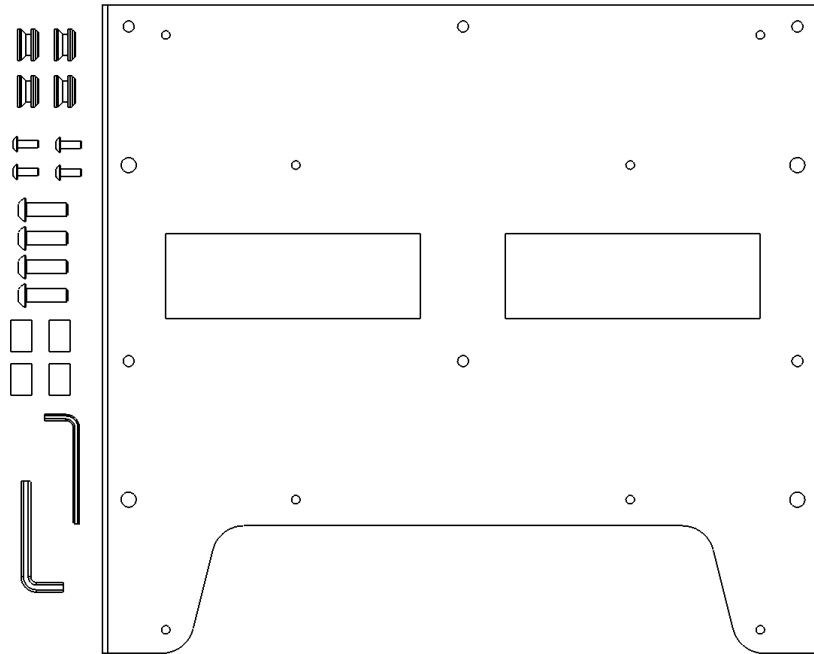


Figure 1

- (1) Interface Bracket
- (4) 10-24 x .5 Button Head Cap Screw
- (4) .75 OD x .34 ID x .50 L Nylon Spacer
- (1) 5mm Allen Key

- (4) Mounting Button – Tapped
- (4) M8 x 25 Button Head Cap Screw
- (1) 1/8 Allen Key

BEFORE PROCEEDING, READ INSTALLATION INSTRUCTIONS COMPLETELY

**CAUTION!**      **DISPLAYS ARE EXTREMELY FRAGILE.**

**WARNING!**      **ALL COMPONENTS MUST BE SECURELY FASTENED TO A STRUCTURAL MEMBER CAPABLE OF SUPPORTING 4 TIMES THE COMBINED WEIGHT OF ALL COMPONENTS PLUS THE EQUIPMENT BEING MOUNTED. IF IT CANNOT SUPPORT THIS WEIGHT, THE STRUCTURE MUST BE REINFORCED.**  
**THE MAXIMUM WEIGHT TO BE INSTALLED ON THE MOUNT IS 200 POUNDS (90.78 KG).**



Chief Manufacturing, a division of Milestone AV Technologies  
8401 Eagle Creek Parkway, Savage, MN 55378  
P: 800.582.6480 / 952.894.6280 F: 877.894.6918 / 952.894.6918

8804-000363 Rev01  
©2008 Milestone AV Technologies  
04/08

- Using a 10-24 button head cap screw inserted from back side of bracket, secure mounting button, with chamfered hole of mounting button (larger surface) facing bracket (four places) (see Figure 2 & Figure 3).

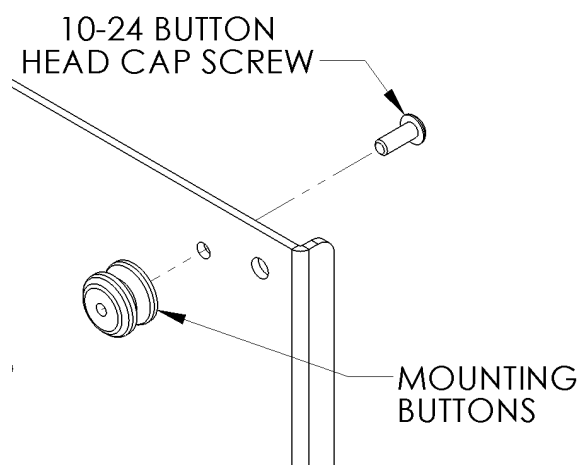


Figure 2

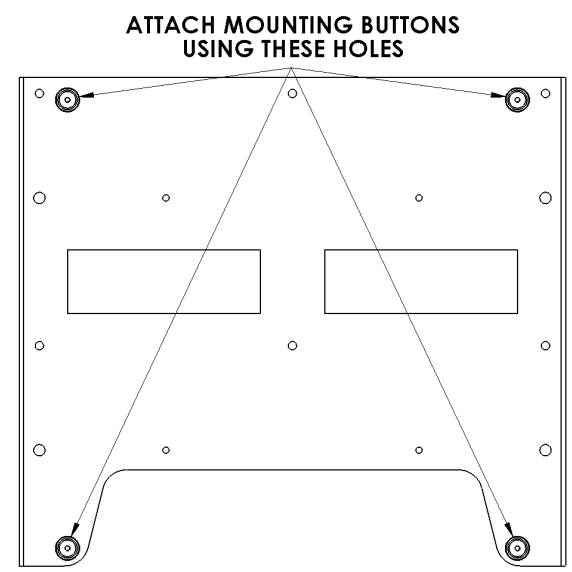


Figure 3

- Place Nylon spacers over mounting holes on back of screen. Attach mounting brackets to display using the M8 screws (see Figure 4 & Figure 5)
- With the aid of another person, lift your display up to the Chief Mount, aligning buttons of mounting brackets with slots in the Chief Mount.
- Lower safety latch on the Chief Mount to secure your display, making sure latch is completely engaged.

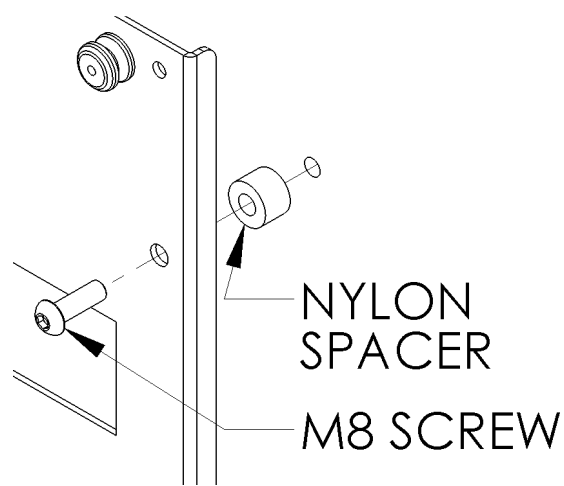


Figure 4

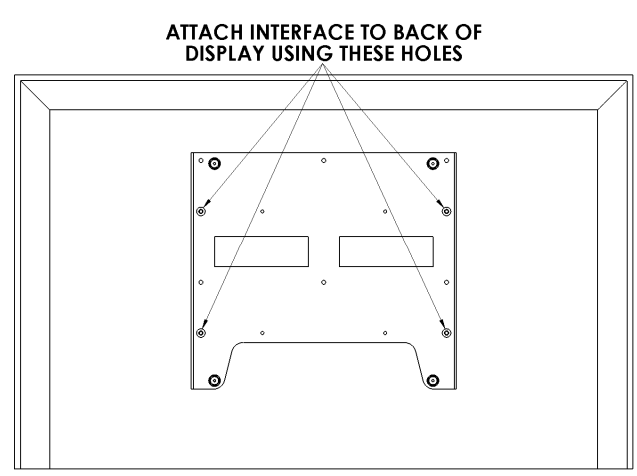


Figure 5