

INSTALLATION INSTRUCTIONS

PSB-2459 DISPLAY MOUNTING BRACKET

Prior to assembly, unpack carton completely and verify contents.
If you are missing any of the following components, please contact Customer Service.

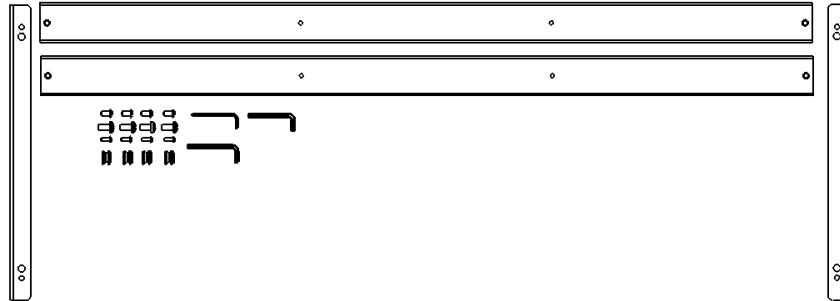


Figure 1

- (2) Plasma Vertical Bracket
- (4) Mounting Buttons
- (4) M8-1.25 x 16mm Button Head Cap Screws
- (4) 1/4-20 Button Head Cap Screw
- (1) M5 Allen key

- (2) Plasma Horizontal Bracket
- (4) 10-24 Button Head Cap Screws
- (1) 1/8" Allen Key
- (1) 3/16" Allen Key

BEFORE PROCEEDING, READ INSTALLATION INSTRUCTIONS COMPLETELY

CAUTION! DISPLAYS ARE EXTREMELY FRAGILE.

WARNING!

ALL COMPONENTS MUST BE SECURELY FASTENED TO A STRUCTURAL MEMBER CAPABLE OF SUPPORTING 4 TIMES THE COMBINED WEIGHT OF ALL COMPONENTS PLUS THE EQUIPMENT BEING MOUNTED. IF IT CANNOT SUPPORT THIS WEIGHT, THE STRUCTURE MUST BE REINFORCED. THE MAXIMUM WEIGHT TO BE INSTALLED ON THE INTERFACE IS 170 POUNDS (77.1 KG).

1. Using a 10-24 button head cap screw inserted from back side of bracket, secure mounting button, with chamfered hole of mounting button (larger surface) facing bracket, to bracket (four places) (see Figure 2).

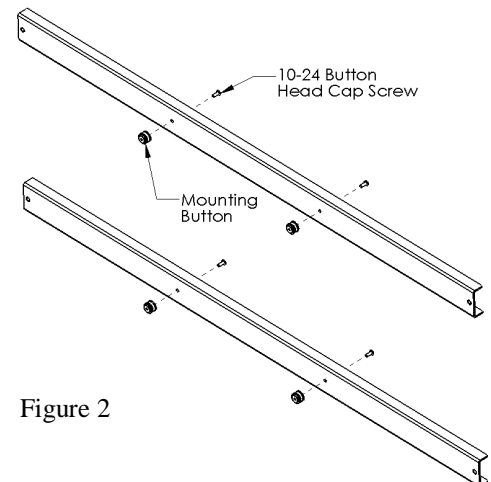


Figure 2

®Chief is a registered trademark of Milestone AV Technologies.
All rights reserved.

2. Secure the two vertical brackets to the back of the screen using the M8 screws (see Figure 3).
3. Attach the two vertical brackets to the Vertical brackets using four 1/4-20 button head cap screws. (see Figure 4 and Figure 5).

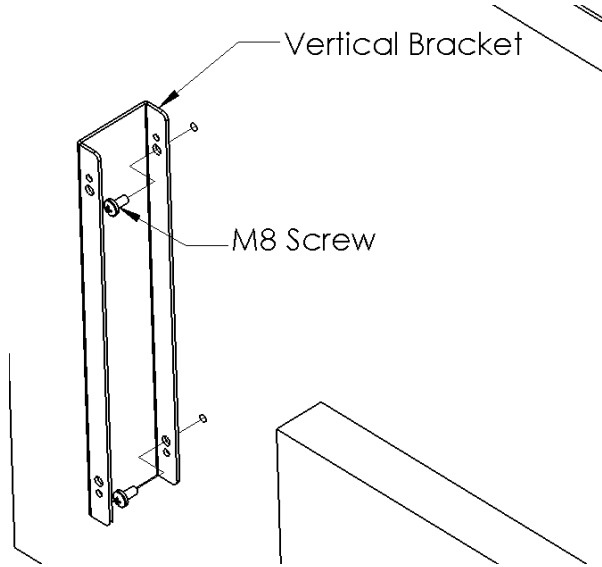


Figure 3

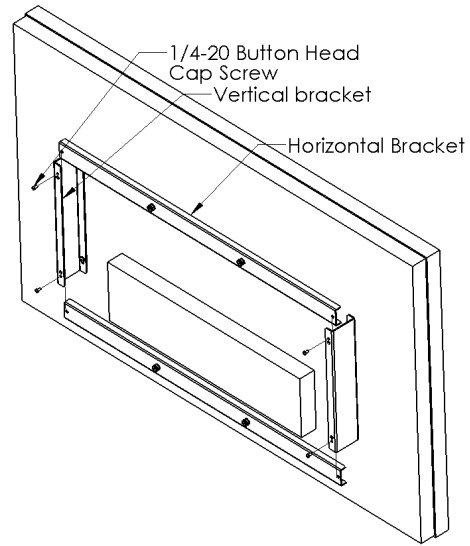


Figure 4

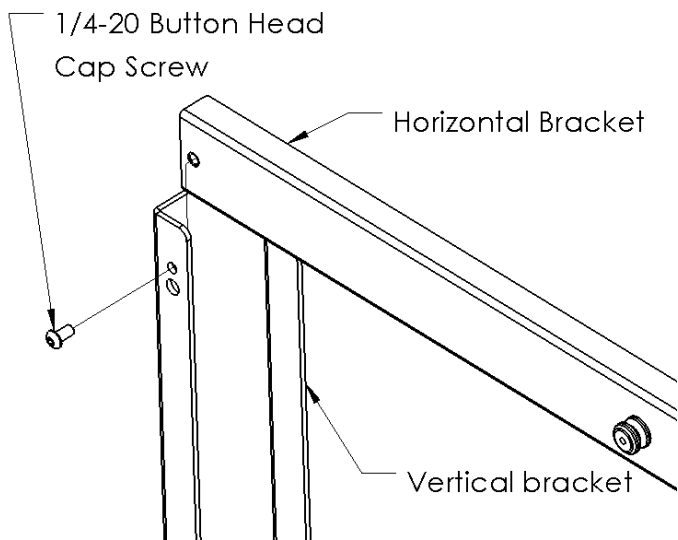


Figure 5

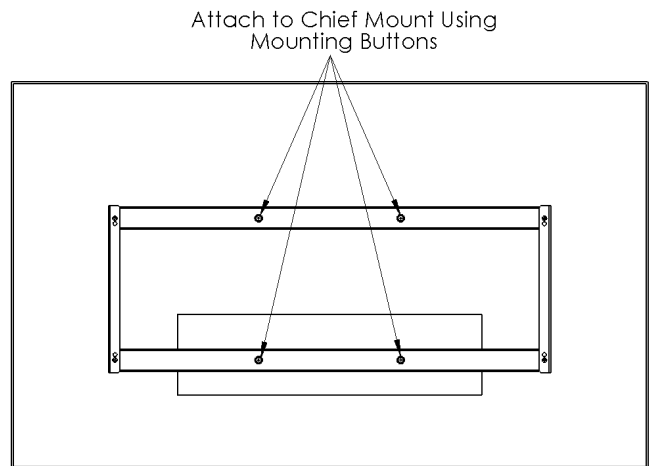


Figure 6

4. With the aid of another person, lift the display up to the Chief Mount, aligning buttons of mounting brackets with slots in the Chief Mount.
5. Lower safety catch on the Chief Mount to secure the display, making sure catch is completely engaged.