

# INSTALLATION INSTRUCTIONS

## PSB-2516 DISPLAY MOUNTING BRACKET

Prior to assembly, unpack carton completely and verify contents.

If you are missing any of the following components, please contact Customer Service at 1-800/582-6480

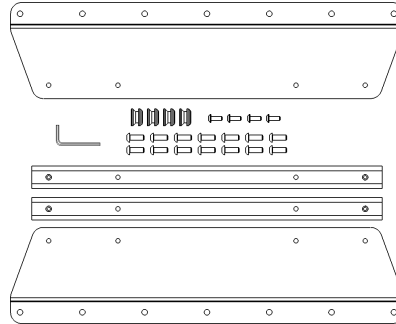


Figure 1

(2) Interface Brackets

(4) Mounting Buttons – Tapped

(14) M6 x 10mm Button Head Cap Screws

(1) 4mm Allen Key

(2) Cross Brackets

(8) 10-24 x .500 Button Head Cap Screws

(1) 1/8" Allen Key

BEFORE PROCEEDING, READ INSTALLATION INSTRUCTIONS COMPLETELY

### CAUTION!

**DISPLAYS ARE EXTREMELY FRAGILE.**

### WARNING!

**ALL COMPONENTS MUST BE SECURELY FASTENED TO A STRUCTURAL MEMBER CAPABLE OF SUPPORTING 4 TIMES THE COMBINED WEIGHT OF ALL COMPONENTS PLUS THE EQUIPMENT BEING MOUNTED. IF IT CANNOT SUPPORT THIS WEIGHT, THE STRUCTURE MUST BE REINFORCED. THE MAXIMUM WEIGHT TO BE INSTALLED ON THE INTERFACE IS 125 POUNDS (79.38 KG).**

#### 1. Chief Q-latch Button Installation

Using a 10-24 button head cap screw inserted from back side of bracket, secure mounting button, with chamfered hole of mounting button (larger surface) facing bracket, to interface brackets (four places) (see Figure 2 & Figure 3).

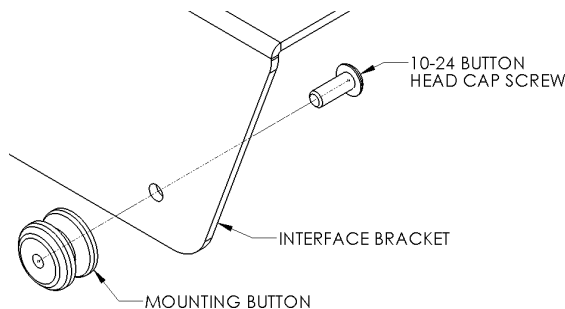


Figure 2

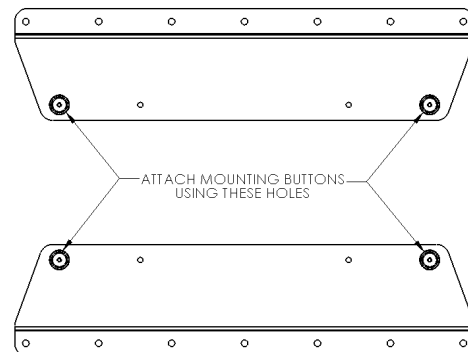


Figure 3

2. **Side Bracket Assembly:** Attach cross brackets to interface brackets using the 10-24 button head cap screws (see Figure 4 & Figure 5).

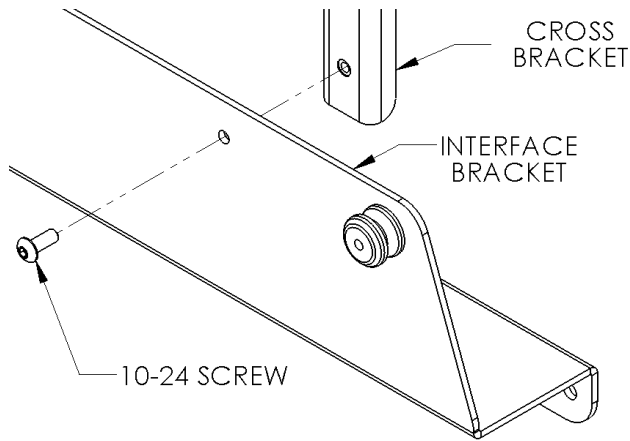


Figure 4

ATTACH CROSS BRACKETS USING THESE HOLES

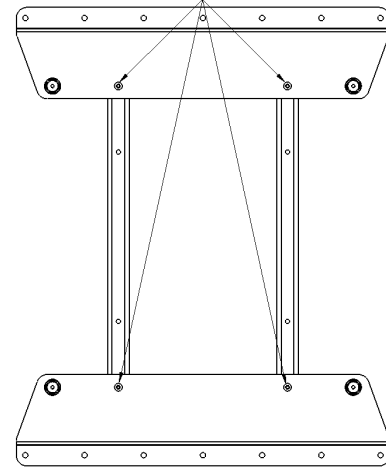


Figure 5

3. **Bracket Installation:** Attach brackets to back of display using fourteen M6 screws (see Figure 6 & Figure 7). Do not over tighten screws.

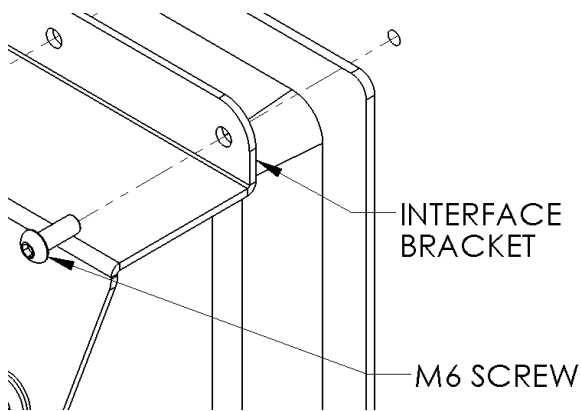


Figure 6

ATTACH INTERFACE TO BACK OF DISPLAY USING THESE HOLES

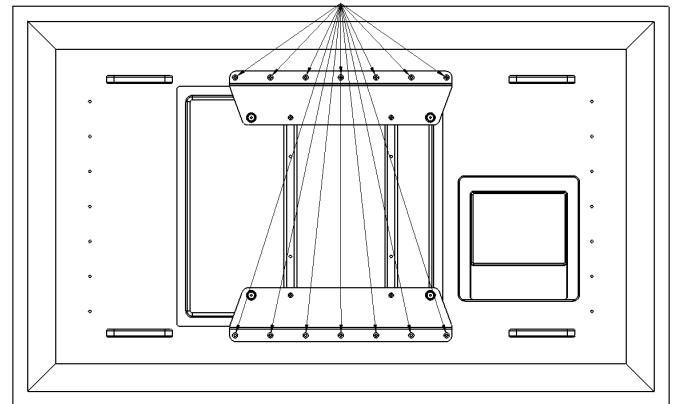


Figure 7

4. Follow the Chief mount instruction manual for screen installation.