

# INSTALLATION INSTRUCTIONS

## PSB-2531

### LCD DISPLAY MOUNTING BRACKET

Prior to assembly, unpack carton completely and verify contents.

If you are missing any of the following components, please contact Customer Service at 1-800/582-6480.

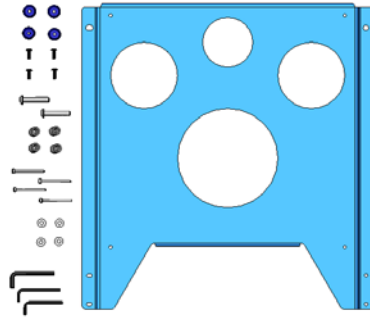


Figure 1

- |  |                                     |
|--|-------------------------------------|
| (1) LCD Interface Bracket              | (4) M4 x 45mm Socket Head Cap Screw |
| (4) 10-24 x 1/2" Button Head Cap Screw | (2) M8 x 40mm Button Head Cap Screw |
| (4) Mounting Button                    | (4) .50 x .32 x .50 Nylon Spacer    |
| (4) #10 Flat Washers                   | (1) M3 Hex Key                      |
| (1) M5 Hex Key                         | (1) 1/8" Hex Key                    |

BEFORE PROCEEDING, READ INSTALLATION INSTRUCTIONS COMPLETELY

## CAUTION!

**LCD DISPLAYS ARE EXTREMELY FRAGILE.**

## WARNING!

**ALL COMPONENTS MUST BE SECURELY FASTENED TO A STRUCTURAL MEMBER CAPABLE OF SUPPORTING 4 TIMES THE COMBINED WEIGHT OF ALL COMPONENTS PLUS THE EQUIPMENT BEING MOUNTED. IF IT CANNOT SUPPORT THIS WEIGHT, THE STRUCTURE MUST BE REINFORCED.**

**THE MAXIMUM WEIGHT TO BE INSTALLED ON THE MOUNT IS 175 POUNDS (79.38 KG).**

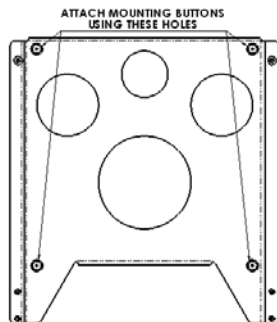


Figure 2

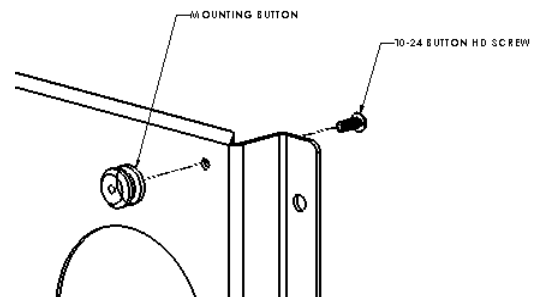


Figure 3

1. Using 10-24 button head cap screw inserted from backside of bracket, secure mounting button, with chamfered hole of mounting button (larger surface) facing bracket, to bracket (four places). See Figure 2 and Figure 3.

- Remove the pegs from manufacturer's stand as shown and align the holes to install the M4 screws. See Figure 4 and Figure 5.

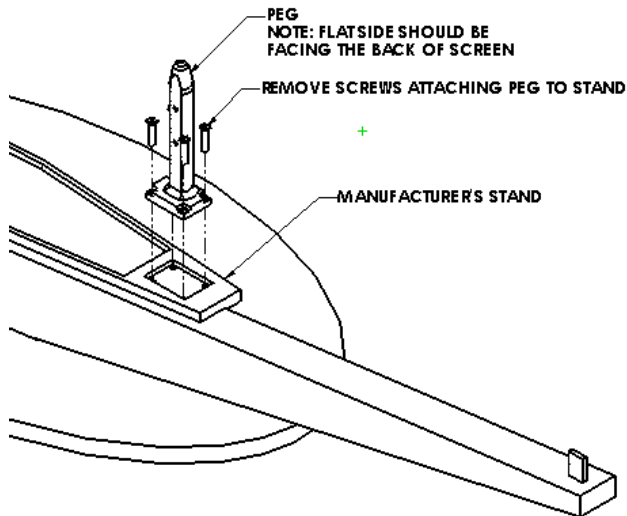


Figure 4

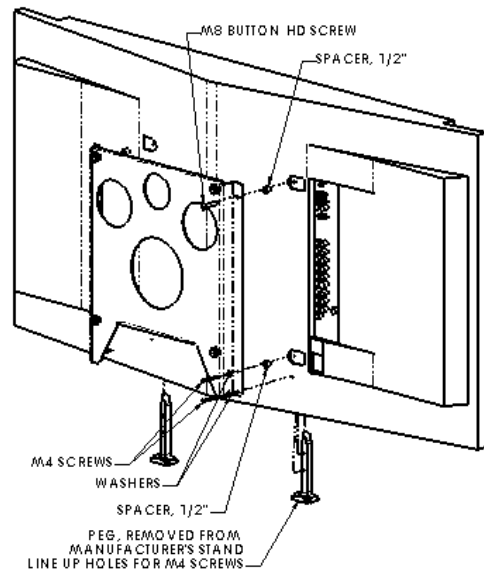


Figure 5

- Using the M8 and M4 screws, washers and nylon spacers, secure bracket to display. See Figure 6 and Figure 7. Do not over tighten screws.
- With the aid of another person, lift LCD Display up to the Chief Mount, aligning buttons of mounting brackets with slots in the Chief Mount.
- Lower safety latch on the Chief Mount to secure LCD Display, making sure latch is completely engaged.

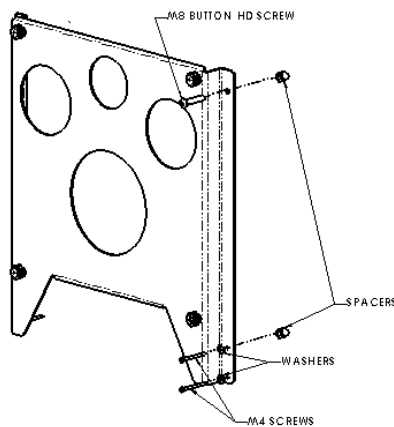


Figure 6

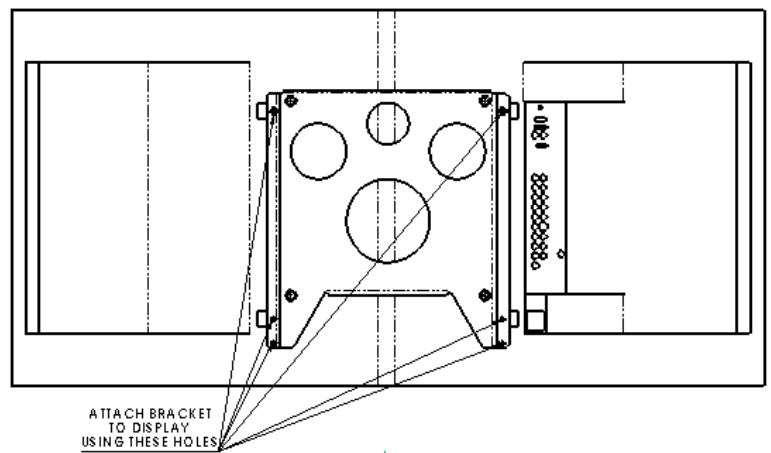


Figure 7