

INSTALLATION INSTRUCTIONS

PSB-2533 & PSB-2535 DISPLAY MOUNTING BRACKET

Prior to assembly, unpack carton completely and verify contents.

If you are missing any of the following components, please contact Customer Service at 1-800/582-6480.

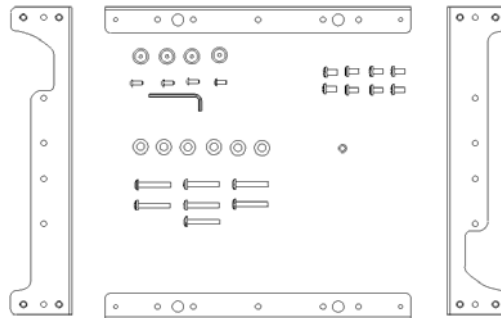


Figure 1

(2) Side Interface Bracket

(4) Mounting Buttons-10-24 Tapped

(8) 1/4-20 x .5 Phillips Head Cap Screw

(6) .74 x .39 x 1.0 White Nylon Spacer

(1) 10mm x M6.3mm x 28mm Black Nylon Spacer

(2) Top/Bottom Bracket

(4) 10-24 x .5 Button Head Cap Screw

(7) M6 x 40mm Phillips Pan Head Screw

(1) 1/8" Allen Key

BEFORE PROCEEDING, READ INSTALLATION INSTRUCTIONS COMPLETELY

CAUTION! DISPLAYS ARE EXTREMELY FRAGILE.

WARNING! ALL COMPONENTS MUST BE SECURELY FASTENED TO A STRUCTURAL MEMBER CAPABLE OF SUPPORTING 4 TIMES THE COMBINED WEIGHT OF ALL COMPONENTS PLUS THE EQUIPMENT BEING MOUNTED. IF IT CANNOT SUPPORT THIS WEIGHT, THE STRUCTURE MUST BE REINFORCED. THE MAXIMUM WEIGHT TO BE INSTALLED ON THE INTERFACE IS 175 POUNDS (79.38 KG).

1. Using a 10-24 button head cap screw inserted from back side of bracket, secure mounting button, with chamfered hole of mounting button (larger surface) facing bracket, to top and bottom brackets (four places) (see Figure 2 and Figure 3).

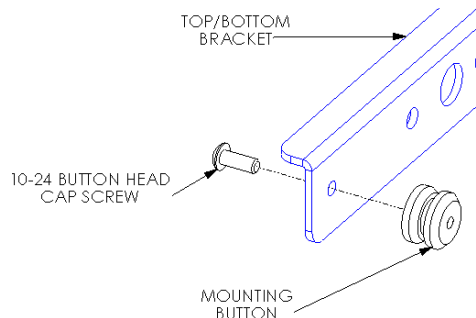


Figure 2

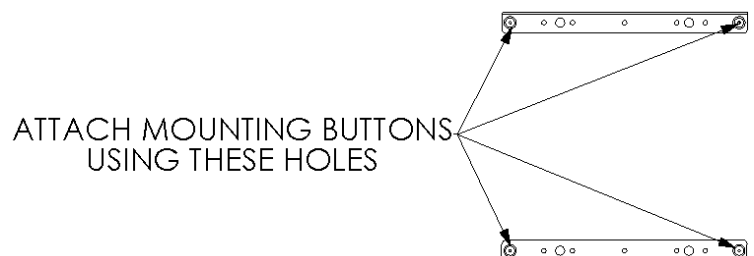


Figure 3

- Using eight 1/4-20 Phillips head cap screws, attach top and bottom to side brackets (see Figure 4 and Figure 5).

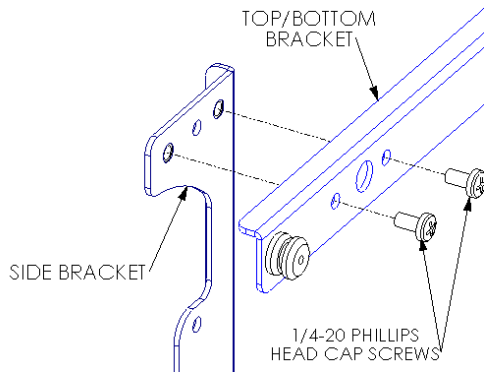


Figure 4

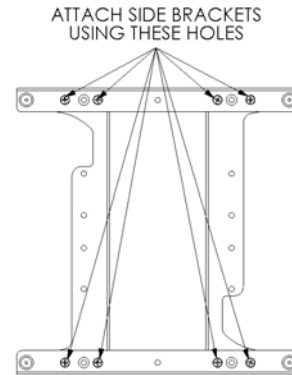


Figure 5

- Place (6) white Nylon spacers over side mounting holes and (1) black Nylon spacer over the top center mounting hole on back of screen and attach the mounting brackets to the display using (7) M6 screws (see Figure 6 and Figure 7).
- With the aid of another person, lift your display up to the Chief Mount, aligning buttons of mounting brackets with slots in the Chief Mount. You may need to connect power and other input/output cables before installing screen onto mount.
- Lower safety latch on the Chief Mount to secure your display, making sure latch is completely.

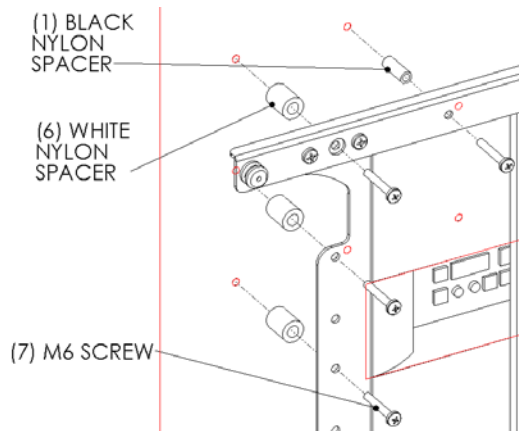


Figure 6

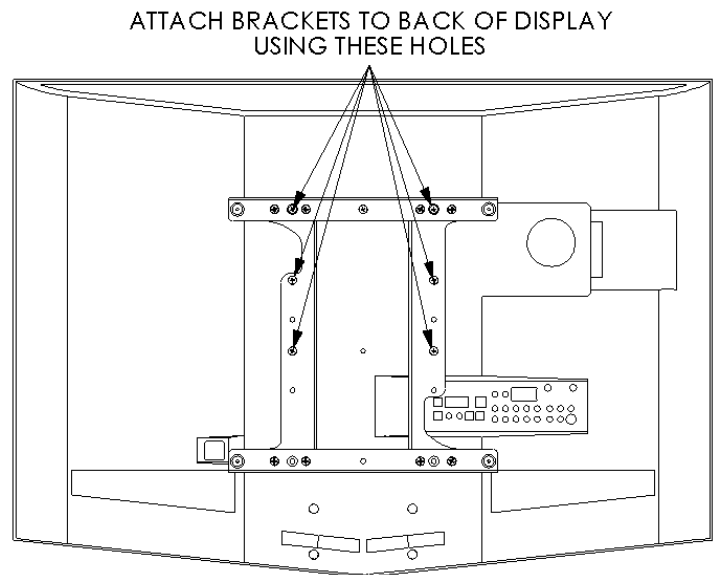


Figure 7