

# INSTALLATION INSTRUCTIONS

## PSB-2534 & 2536 DISPLAY MOUNTING BRACKET

Prior to assembly, unpack carton completely and verify contents.

If you are missing any of the following components, please contact Customer Service at 1-800/582-6480

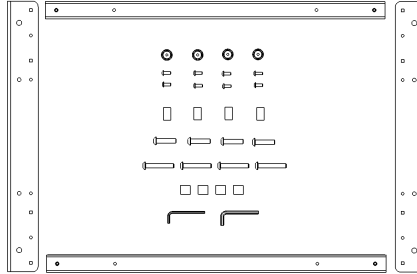


Figure 1

(2) Plasma Side Bracket

(4) Mounting Button - Tapped

(4) M8 x 35mm Button Head Cap Screw

(4) M8 x 50mm Button Head Cap Screw

(1) 1/8 Allen Key

(2) Plasma Top/Bottom Bracket

(8) 10-24 x .5 Button Head Cap Screw

(4) .51 X .32 X .875 Nylon Spacer

(4) .68 X .32 X .625

(1) M5 Allen Key

BEFORE PROCEEDING, READ INSTALLATION INSTRUCTIONS COMPLETELY

**CAUTION!** DISPLAYS ARE EXTREMELY FRAGILE.

**WARNING!** ALL COMPONENTS MUST BE SECURELY FASTENED TO A STRUCTURAL MEMBER CAPABLE OF SUPPORTING 4 TIMES THE COMBINED WEIGHT OF ALL COMPONENTS PLUS THE EQUIPMENT BEING MOUNTED. IF IT CANNOT SUPPORT THIS WEIGHT, THE STRUCTURE MUST BE REINFORCED.

THE MAXIMUM WEIGHT TO BE INSTALLED ON THE MOUNT IS 175 POUNDS (79.38 KG).

1. Using a 10-24 button head cap screw inserted from back side of bracket, secure mounting button, with chamfered hole of mounting button (larger surface) facing bracket, to top and bottom brackets (four places) (see Figure 2 & Figure 3).

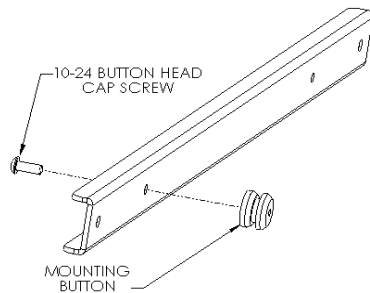


Figure 2

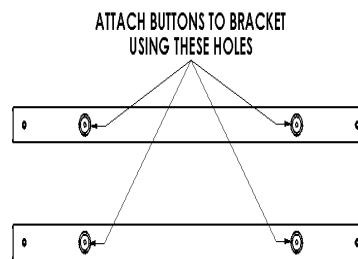


Figure 3



Chief Manufacturing, a division of Milestone AV Technologies  
8401 Eagle Creek Parkway, Savage, MN 55378  
P: 800.582.6480 / 952.894.6280 F: 877.894.6918 / 952.894.6918

8804-000254 RevD  
©2008 Milestone AV Technologies  
05/08

- Using four 10-24 button head cap screws, attach top and bottom to side brackets (see Figure 4 & Figure 5). The square offset holes can be used if use of the center hole causes the cross brackets to block connections or if an offset is needed for the installation (See Figure 6 & Figure 7).

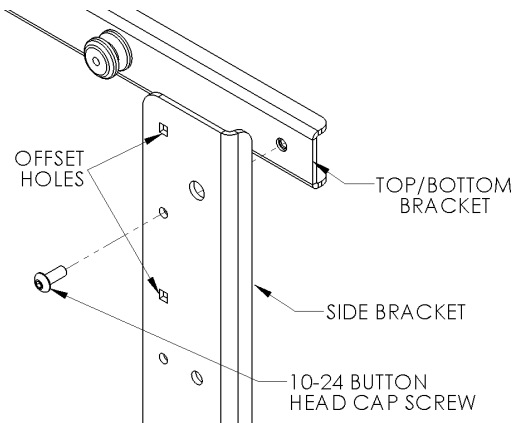


Figure 4

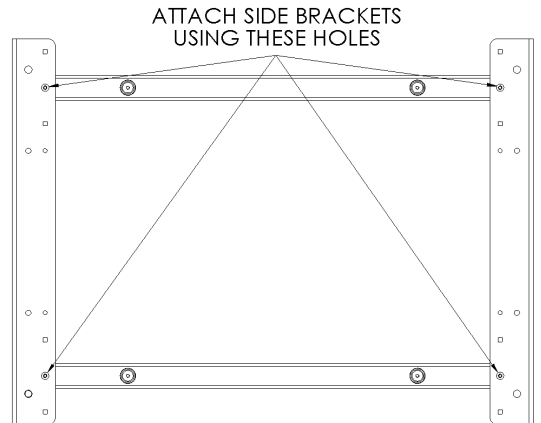
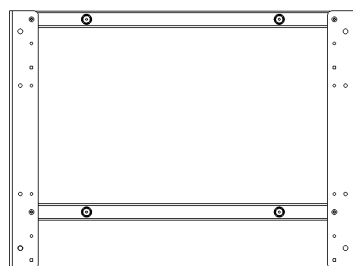
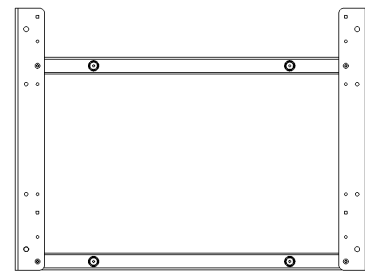


Figure 5



BRACKET SHIFTED UP  
Figure 6



BRACKET SHIFTED DOWN  
Figure 7

- Place Nylon spacers over mounting holes on back of screen. Attach mounting brackets to display using M8 screws (see Figures 8 & Figure 9). If needed add both sets of spacers and use the set of longer bolts to attain required clearance.
- With the aid of another person, lift your display up to the Chief Mount, aligning buttons of mounting brackets with slots in the Chief Mount.
- Lower safety latch on the Chief Mount to secure your display, making sure latch is completely engaged.

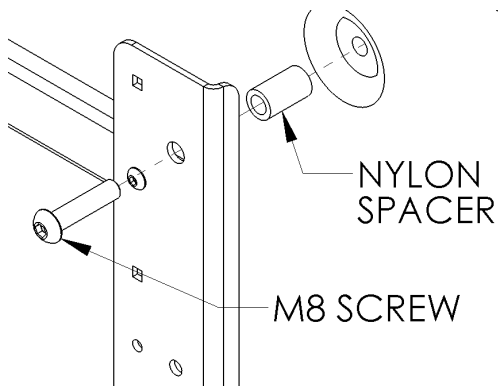


Figure 8

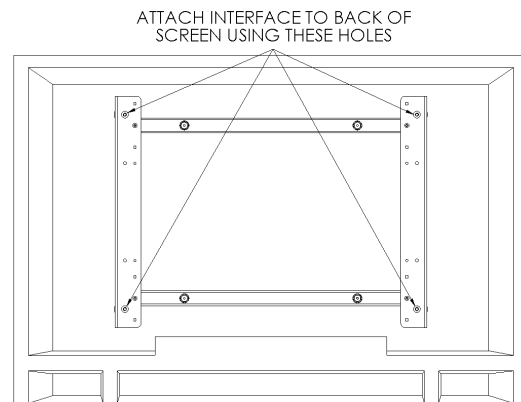


Figure 9