



INSTALLATION INSTRUCTIONS

PSB-2542 LCD DISPLAY MOUNTING BRACKET

Prior to assembly, unpack carton completely and verify contents.

If you are missing any of the following components, please contact Customer Service at 1-800/582-6480

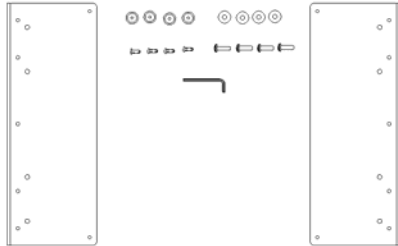


Figure 1

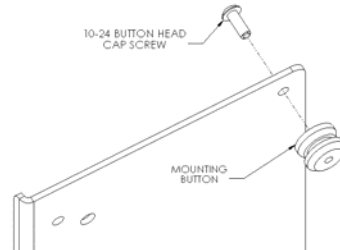


Figure 2

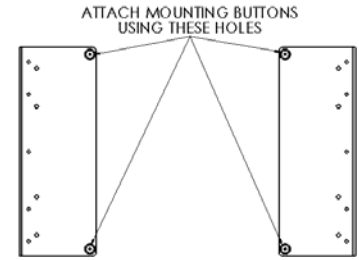


Figure 3

- (2) LCD Interface Side Bracket
- (4) 10-24 x .5" Button Head Cap Screws
- (4) .75 ID x .26 OD x .313 Round Nylon Spacer

- (4) Mounting Buttons-Tapped 10-24
- (4) M6-1.0 x 20mm Phillips Head Cap Screws
- (1) 1/8" Allen Key

BEFORE PROCEEDING, READ INSTALLATION INSTRUCTIONS COMPLETELY

CAUTION! LCD DISPLAYS ARE EXTREMELY FRAGILE.

1. Using a 10-24 button head cap screw inserted from back side of bracket, secure mounting button, with chamfered hole of mounting button (larger surface) facing bracket, to brackets (four places) (see Figure 2 & Figure 3).
2. Place Nylon spacers on mounting holes, aligning hole pattern on brackets with pattern on back of LCD Display (see Figure 4 & Figure 5).
3. Using M6 phillips head screws, secure brackets to display. Do not over tighten screws.
4. With the aid of another person, lift LCD Display up to the Chief Mount, aligning buttons of mounting brackets with slots in the Chief Mount.
5. Lower safety latch on the Chief Mount to secure LCD Display, making sure latch is completely engaged.

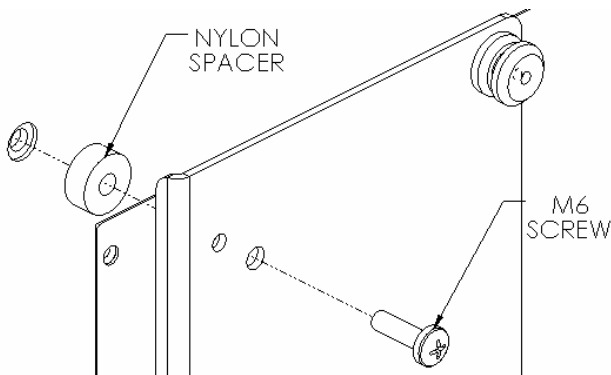


Figure 4

ATTACH BRACKETS TO BACK OF DISPLAY USING THESE HOLES

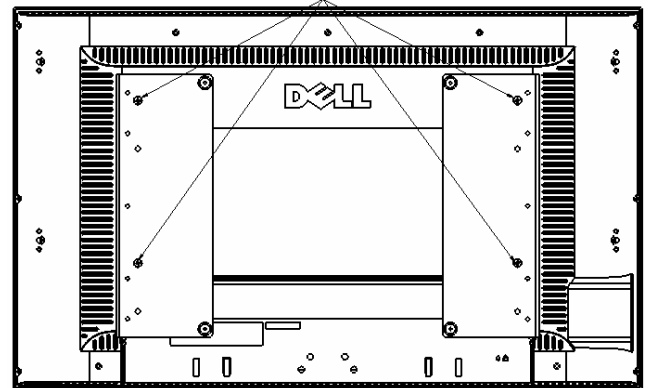


Figure 5