

INSTALLATION INSTRUCTIONS

PSB-2543

PLASMA DISPLAY MOUNTING BRACKET

Prior to assembly, unpack carton completely and verify contents.

If you are missing any of the following components, please contact Customer Service at 1-800/582-6480

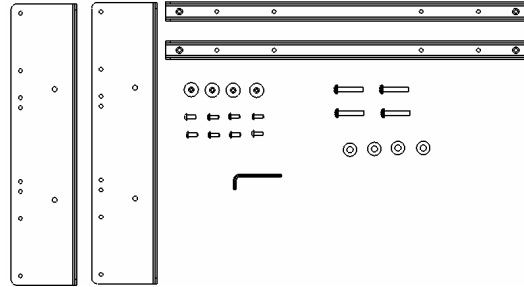


Figure 1

- (2) Plasma Side Bracket
- (4) Mounting Button - Tapped
- (4) M6 x 35mm Button Head Cap Screw
- (1) 1/8 Allen Key

- (2) Plasma Top/Bottom Bracket
- (8) 10-24 x .5 Button Head Cap Screw
- (4) 18mm x 8.3mm x 20mm Black Nylon Spacer

BEFORE PROCEEDING, READ INSTALLATION INSTRUCTIONS COMPLETELY

CAUTION! DISPLAYS ARE EXTREMELY FRAGILE.

1. Attach side plates to horizontal bars. Use 10-24 button head cap screws and 1/8" hex key. (four places) (see Figure 2 & Figure 3).

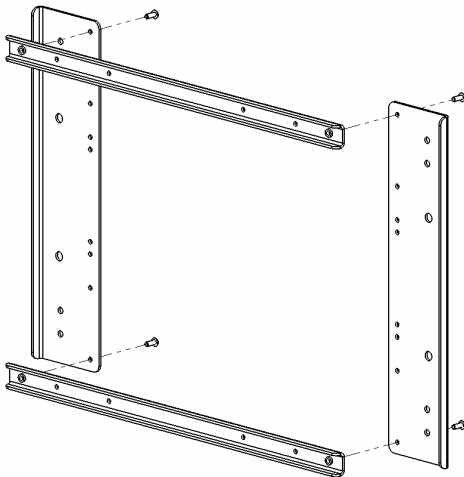


Figure 2

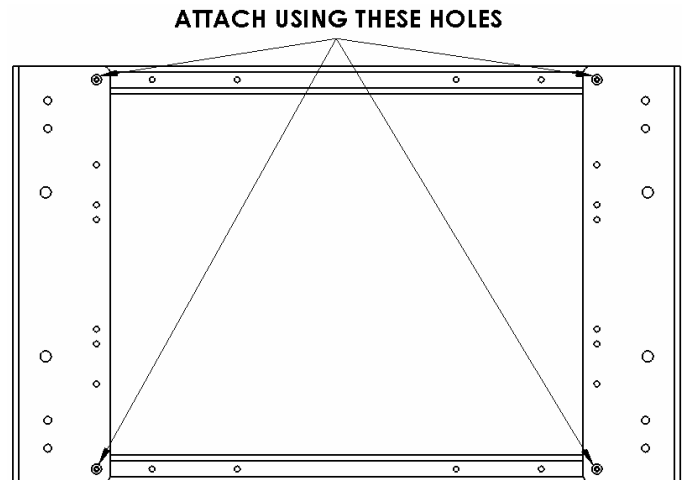


Figure 3



CHIEF MANUFACTURING INC.
1-800-582-6480 952-894-6280 FAX 952-894-6918
8401 EAGLE CREEK PKWY, STE. 700
SAVAGE, MINNESOTA 55378 USA

8804-000303 RevC
2006 Chief Manufacturing
www.chiefmfg.com
04/06

2. Attach mounting buttons to horizontal bars. Use 10-24 button head cap screws and 1/8" hex key. (see Figure 4 & Figure 5).

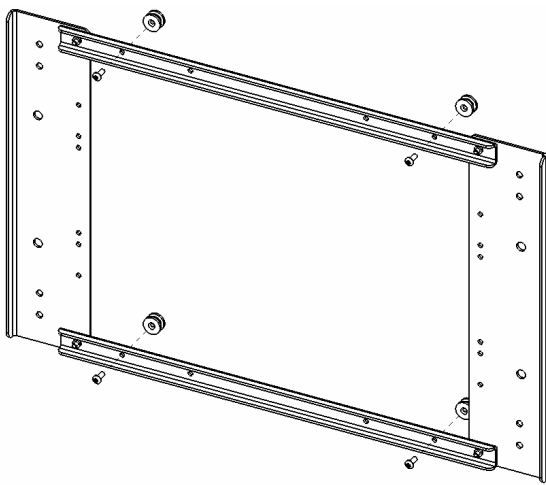


Figure 4

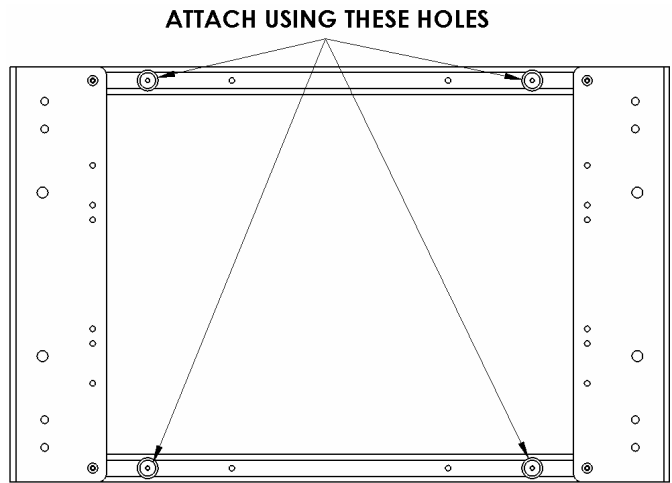


Figure 5

3. Place Nylon spacers over mounting holes on back of screen. Attach mounting brackets to display using the M6 screws (see Figure 6, 7 & 8).

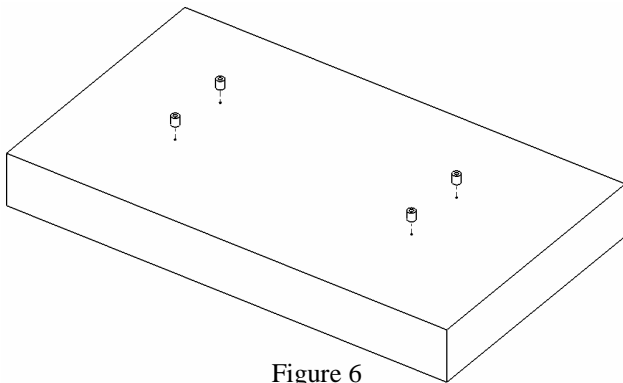


Figure 6

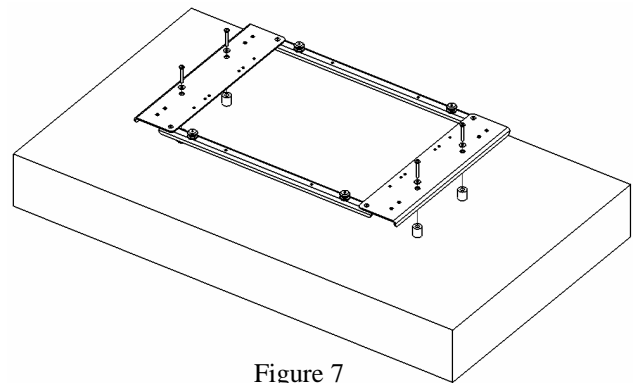


Figure 7

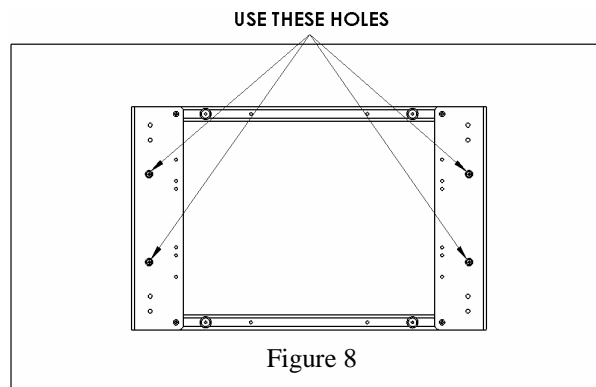


Figure 8

4. With the aid of another person, lift your display up to the Chief Mount, aligning buttons of mounting brackets with slots in the Chief Mount.
5. Lower safety latch on the Chief Mount to secure your display, making sure latch is completely engaged.